

**AWG5000B Series
Arbitrary Waveform Generators
Service Manual**



077-0304-00

Tektronix

AWG5000B Series Arbitrary Waveform Generators Service Manual

Warning

The servicing instructions are for use by qualified personnel only. To avoid personal injury, do not perform any servicing unless you are qualified to do so. Refer to all safety summaries prior to performing service

www.tektronix.com

077-0304-00

Tektronix

Copyright © Tektronix. All rights reserved. Licensed software products are owned by Tektronix or its subsidiaries or suppliers, and are protected by national copyright laws and international treaty provisions.

Tektronix products are covered by U.S. and foreign patents, issued and pending. Information in this publication supersedes that in all previously published material. Specifications and price change privileges reserved.

TEKTRONIX and TEK are registered trademarks of Tektronix, Inc.

Contacting Tektronix

Tektronix, Inc.
14200 SW Karl Braun Drive
P.O. Box 500
Beaverton, OR 97077
USA

For product information, sales, service, and technical support:

- In North America, call 1-800-833-9200.
- Worldwide, visit www.tektronix.com to find contacts in your area.

Warranty

Tektronix warrants that this product will be free from defects in materials and workmanship for a period of one (1) year from the date of shipment. If any such product proves defective during this warranty period, Tektronix, at its option, either will repair the defective product without charge for parts and labor, or will provide a replacement in exchange for the defective product. Parts, modules and replacement products used by Tektronix for warranty work may be new or reconditioned to like new performance. All replaced parts, modules and products become the property of Tektronix.

In order to obtain service under this warranty, Customer must notify Tektronix of the defect before the expiration of the warranty period and make suitable arrangements for the performance of service. Customer shall be responsible for packaging and shipping the defective product to the service center designated by Tektronix, with shipping charges prepaid. Tektronix shall pay for the return of the product to Customer if the shipment is to a location within the country in which the Tektronix service center is located. Customer shall be responsible for paying all shipping charges, duties, taxes, and any other charges for products returned to any other locations.

This warranty shall not apply to any defect, failure or damage caused by improper use or improper or inadequate maintenance and care. Tektronix shall not be obligated to furnish service under this warranty a) to repair damage resulting from attempts by personnel other than Tektronix representatives to install, repair or service the product; b) to repair damage resulting from improper use or connection to incompatible equipment; c) to repair any damage or malfunction caused by the use of non-Tektronix supplies; or d) to service a product that has been modified or integrated with other products when the effect of such modification or integration increases the time or difficulty of servicing the product.

THIS WARRANTY IS GIVEN BY TEKTRONIX WITH RESPECT TO THE PRODUCT IN LIEU OF ANY OTHER WARRANTIES, EXPRESS OR IMPLIED. TEKTRONIX AND ITS VENDORS DISCLAIM ANY IMPLIED WARRANTIES OF MERCHANTABILITY OR FITNESS FOR A PARTICULAR PURPOSE. TEKTRONIX' RESPONSIBILITY TO REPAIR OR REPLACE DEFECTIVE PRODUCTS IS THE SOLE AND EXCLUSIVE REMEDY PROVIDED TO THE CUSTOMER FOR BREACH OF THIS WARRANTY. TEKTRONIX AND ITS VENDORS WILL NOT BE LIABLE FOR ANY INDIRECT, SPECIAL, INCIDENTAL, OR CONSEQUENTIAL DAMAGES IRRESPECTIVE OF WHETHER TEKTRONIX OR THE VENDOR HAS ADVANCE NOTICE OF THE POSSIBILITY OF SUCH DAMAGES.

[W2 – 15AUG04]

Table of Contents

| | |
|---|------|
| General Safety Summary | v |
| Service Safety Summary | vii |
| Environmental Considerations | viii |
| Preface | ix |
| Manual Structure | ix |
| Manual Conventions | ix |
| Operating Information | 1 |
| Operating Information | 1 |
| Theory of Operation | 3 |
| Overview | 3 |
| Module Overviews | 5 |
| Adjustment Procedures | 9 |
| Adjustment Interval | 9 |
| Adjustment After Repair | 9 |
| Required Equipment | 10 |
| Adjustment Overview | 10 |
| Calibration Procedure | 12 |
| Maintenance | 15 |
| Preparation | 15 |
| Preventing ESD | 15 |
| Inspection and Cleaning | 16 |
| Removal and Installation Procedures | 20 |
| Preparation | 20 |
| Summary of Procedures | 21 |
| Required Equipment | 22 |
| Procedures for External Modules | 23 |
| Procedures for Internal Modules (Upper) | 31 |
| Procedures for Internal Modules (Lower) | 43 |
| Troubleshooting | 53 |
| Required Equipment | 53 |
| Fault Isolation Procedure | 53 |
| Instrument Diagnostics | 60 |
| Calibration Error | 67 |
| Hardware Error | 70 |
| After Repair | 72 |
| Returning the Instrument for Service | 73 |
| Replaceable Parts | 75 |
| Parts Ordering Information | 75 |
| Using the Replaceable Parts List | 76 |

List of Figures

| | |
|--|----|
| Figure 1: AWG5000B Series block diagram | 4 |
| Figure 2: Service UI menu | 11 |
| Figure 3: 10 MHz Reference clock calibration test hookup | 12 |
| Figure 4: 10 MHz Reference Calibration dialog box..... | 13 |
| Figure 5: Disassembly procedures for external modules and internal modules (top)..... | 21 |
| Figure 6: Disassembly procedures for internal modules (bottom) | 22 |
| Figure 7: Handle, snaps, cosmetic covers, and front-trim unit removal..... | 24 |
| Figure 8: EMI cover removal | 26 |
| Figure 9: Fan tray unit removal..... | 28 |
| Figure 10: Disassembly of front-panel assembly | 30 |
| Figure 11: Location of the cable ties | 31 |
| Figure 12: Drive module removal | 33 |
| Figure 13: Removing the clamp cover | 34 |
| Figure 14: Multi-Input/Output and Display Adapter board removal | 35 |
| Figure 15: Processor board removal..... | 38 |
| Figure 16: Secondary power supply, power supply, and RFI filter removal | 41 |
| Figure 17: Power board removal | 42 |
| Figure 18: Front Connector board, CLK1G module, AWG1G board, and OUT1G boards removal (4-channel model) | 44 |
| Figure 19: Disassembly of the CLK1G module..... | 45 |
| Figure 20: Cable post on the AWG1G board (2 CH)..... | 46 |
| Figure 21: Cable post on the AWG1G board (4 CH)..... | 48 |
| Figure 22: Location of the cable ties | 50 |
| Figure 23: Location of the cable ties | 51 |
| Figure 24: Primary troubleshooting tree (1)..... | 54 |
| Figure 25: Primary troubleshooting tree (2)..... | 55 |
| Figure 26: PWR board test points (J104)..... | 56 |
| Figure 27: Secondary power supply test points (CN51 and CN61)..... | 57 |
| Figure 28: AWG1G board test points (J2000)..... | 58 |
| Figure 29: OUT1G board test points (J7000) | 59 |
| Figure 30: Diagnostics dialog box..... | 60 |
| Figure 31: Calibration dialog box | 67 |
| Figure 32: Exploded diagram - Cosmetics | 78 |
| Figure 33: Exploded diagram - EMI Covers | 79 |
| Figure 34: Exploded diagram - Chassis assembly | 80 |
| Figure 35: Exploded diagram - Front-panel assembly | 82 |
| Figure 36: Exploded diagram - Drive module..... | 84 |
| Figure 37: Exploded diagram - Processor module..... | 86 |

Figure 38: Exploded diagram - Power supply assembly 88

Figure 39: Exploded diagram - PCI/power interface module 91

Figure 40: Exploded diagram - Fan tray assembly 92

Figure 41: Exploded diagram - USB module 93

Figure 42: Exploded diagram – AWG1G/CLK1G/OUT1G modules 95

Figure 43: Exploded diagram - CLK1G module..... 96

Figure 44: Exploded diagram - AWG1G module..... 97

Figure 45: Exploded diagram - BNC bracket 99

Figure 46: Exploded diagram - Rear connectors..... 101

List of Tables

| | |
|--|----|
| Table 1: Adjustments required for module replaced..... | 9 |
| Table 2: Test equipment | 10 |
| Table 3: External inspection checklist..... | 17 |
| Table 4: Internal inspection checklist | 19 |
| Table 5: Required tools for module removal and reinstall | 22 |
| Table 6: Test points voltage (J104) | 56 |
| Table 7: Test points voltage (CN51 and CN61)..... | 57 |
| Table 8: Test points voltage (J2000)..... | 58 |
| Table 9: Test points voltage (J7000 or J6000)..... | 59 |
| Table 10: Diagnostics error..... | 61 |
| Table 11: Calibration error | 68 |
| Table 12: Hardware error | 70 |

General Safety Summary

Review the following safety precautions to avoid injury and prevent damage to this product or any products connected to it.

To avoid potential hazards, use this product only as specified.

Only qualified personnel should perform service procedures.

To Avoid Fire or Personal Injury

Use Proper Power Cord. Use only the power cord specified for this product and certified for the country of use.

Connect and Disconnect Properly. Do not connect or disconnect probes or test leads while they are connected to a voltage source.

Ground the Product. This product is grounded through the grounding conductor of the power cord. To avoid electric shock, the grounding conductor must be connected to earth ground. Before making connections to the input or output terminals of the product, ensure that the product is properly grounded.

Observe All Terminal Ratings. To avoid fire or shock hazard, observe all ratings and markings on the product. Consult the product manual for further ratings information before making connections to the product.

The inputs are not rated for connection to mains or Category II, III, or IV circuits.

Do not apply a potential to any terminal, including the common terminal, that exceeds the maximum rating of that terminal.

Power Disconnect. The power cord disconnects the product from the power source. Do not block the power cord; it must remain accessible to the user at all times.

Do Not Operate Without Covers. Do not operate this product with covers or panels removed.

Do Not Operate With Suspected Failures. If you suspect that there is damage to this product, have it inspected by qualified service personnel.

Avoid Exposed Circuitry. Do not touch exposed connections and components when power is present.

Do Not Operate in Wet/Damp Conditions.

Do Not Operate in an Explosive Atmosphere.

Keep Product Surfaces Clean and Dry.

Provide Proper Ventilation. Refer to the manual's installation instructions for details on installing the product so it has proper ventilation.

Terms in this Manual These terms may appear in this manual:



WARNING. *Warning statements identify conditions or practices that could result in injury or loss of life.*



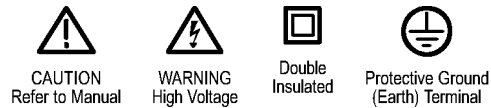
CAUTION. *Caution statements identify conditions or practices that could result in damage to this product or other property.*

Symbols and Terms on the Product

These terms may appear on the product:

- DANGER indicates an injury hazard immediately accessible as you read the marking.
- WARNING indicates an injury hazard not immediately accessible as you read the marking.
- CAUTION indicates a hazard to property including the product.

The following symbol(s) may appear on the product:



Service Safety Summary

Only qualified personnel should perform service procedures. Read this *Service Safety Summary* and the *General Safety Summary* before performing any service procedures.

Do Not Service Alone. Do not perform internal service or adjustments of this product unless another person capable of rendering first aid and resuscitation is present.

Disconnect Power. To avoid electric shock, switch off the instrument power, then disconnect the power cord from the mains power.

Use Care When Servicing With Power On. Dangerous voltages or currents may exist in this product. Disconnect power, remove battery (if applicable), and disconnect test leads before removing protective panels, soldering, or replacing components.

To avoid electric shock, do not touch exposed connections.

Environmental Considerations

This section provides information about the environmental impact of the product.

Product End-of-Life Handling

Observe the following guidelines when recycling an instrument or component:

Equipment Recycling. Production of this equipment required the extraction and use of natural resources. The equipment may contain substances that could be harmful to the environment or human health if improperly handled at the product's end of life. In order to avoid release of such substances into the environment and to reduce the use of natural resources, we encourage you to recycle this product in an appropriate system that will ensure that most of the materials are reused or recycled appropriately.



This symbol indicates that this product complies with the European Union's requirements according to Directive 2002/96/EC on waste electrical and electronic equipment (WEEE). For information about recycling options, check the Support/Service section of the Tektronix Web site (www.tektronix.com).

Mercury Notification. This product uses an LCD backlight lamp that contains mercury. Disposal may be regulated due to environmental considerations. Please contact your local authorities or, within the United States, the Electronics Industries Alliance (www.eiae.org) for disposal or recycling information.

Perchlorate Materials. This product contains one or more type CR lithium coin cell batteries. According to the state of California, CR lithium coin cells are classified as perchlorate materials and require special handling. See www.dtsc.ca.gov/hazardouswaste/perchlorate for additional information.

Restriction of Hazardous Substances

This product has been classified as Monitoring and Control equipment, and is outside the scope of the 2002/95/EC RoHS Directive.

Preface

This manual contains service information for your instrument. Read this preface to learn how this manual is structured, the conventions it uses, and where to find additional supplemental information related to servicing this product.

You should also read the General and Service safety summaries before servicing the product.

Manual Structure

This manual is divided into sections, which are made up of related subordinate topics. Be sure to read the introductions to all procedures. These introductions provide important information needed to do the service correctly, safely, and efficiently.

Manual Conventions

This manual uses certain conventions that you should become familiar with before starting service.

Modules Throughout this manual, any replaceable component, assembly, or part is referred to by the term module. A module is composed of electrical and mechanical assemblies, circuit boards, interconnecting cables, and user-accessible controls.

Replaceable Parts This manual refers to any field-replaceable assembly or mechanical part specifically by its name or generically as a replaceable part. In general, a replaceable part is any circuit board or assembly, such as the hard disk drive, or a mechanical part, such as the I/O port connectors, that is listed in the replaceable parts list of this manual.

Safety Symbols and terms related to safety appear in the *General Safety Summary* found at the beginning of this manual.

Operating Information

Operating Information

For information on installing, operating, and networking the instrument, refer to the *AWG5000B and AWG7000B Series Arbitrary Waveform Generators Quick Start User Manual*. This manual is available on the Document CD that came with your instrument, and on the Tektronix Web site (www.tektronix.com/manuals).

Theory of Operation

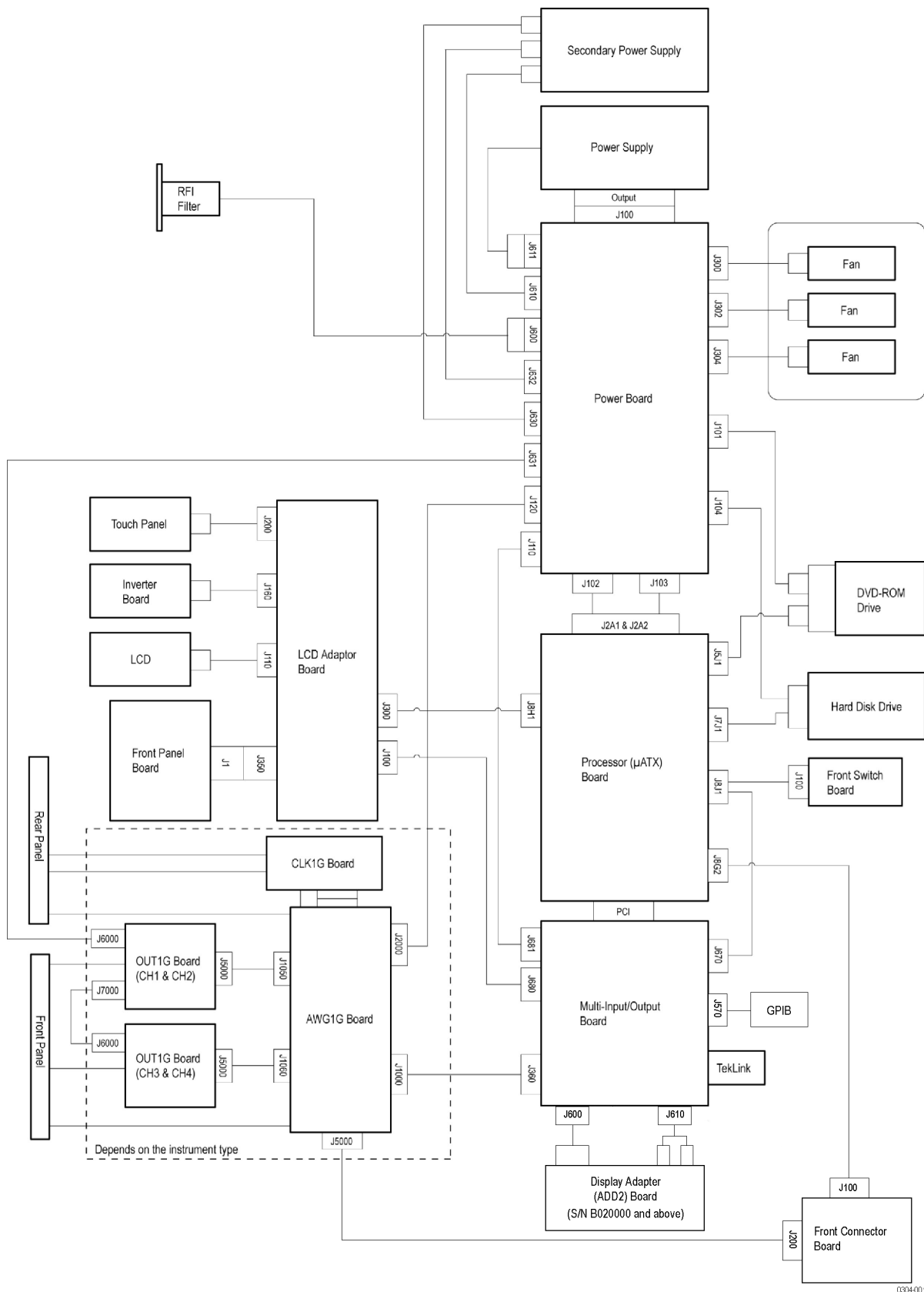
This section describes the electrical operation of the AWG5000B Series Arbitrary Waveform Generators.

Overview

The AWG5000B Series Arbitrary Waveform Generators provide four models with different frequency and numbers of channels. Each model consists of two major sections: the platform section and generator section. The platform section is common to each model.

Block Diagram of the System

The AWG5000B Series Arbitrary Waveform Generators are based on the Tektronix DPO7000 series platform which consists of the μ ATX CPU board and components for a PC. The instrument operates with the Microsoft Window XP operating system. The following figure shows the system level block diagram of the AWG5000B Series.



0304-001

Figure 1: AWG500B Series block diagram

Module Overviews

A Microsoft Windows processor system is the primary controller of the instrument. The instrument features an XGA resolution flat-panel display, a transparent touch screen, and a front panel with direct access to commonly used instrument functions. You can also make complete use of the instrument with a mouse and a keyboard.

Front Panel (FP) Board

Push-button switches on the Front Panel (FP) board are read by an embedded microcontroller, which sends the button and knob change information to the μ ATX board via a USB path. The FP board consists of the following blocks:

- USB controller (Cypress EZ-USB FX1)
- FPGA (Altera Cyclone)
- Key switch matrix
- LED indicators (Tri-Color and Mono-Color)

LCD Adapter (LCDA) Board

The LCDA board supports interconnection between the μ ATX board and FP board. Two internal USB ports come from the μ ATX board. One USB connects to a touch panel controller. The other connects to a microcontroller on the FP board. Connectors related to the LCD are also included. The LCDA board consists of the following blocks:

- Touch-panel controller
- Rotary encoder (signal goes to the FP board)
- LCD back light controller
- Connector to LCD

Multi-Input/Output (MIO) Board

The MIO board coordinates the flow of data through the Windows PCI port from various devices that communicate with the μ ATX system. The devices include the display system, GPIB, TekLink, and data flow (PCIF) path to the waveform generator system. An EEROM on this board stores instrument setting and calibration data. The MIO board consists of the following blocks:

- PCI controller
- GPIB controller
- LCD display controller (ATI Mobility-MI, in instruments with serial numbers below B020000; in instruments with serial number B020000 and above, a separate display adapter board performs this function.)
- PCI target adapter
- PLD140 (Xilinx FPGA)
- EEPROM for calibration data storage
- TekLink interface

Display Adapter (ADD2) Board

In instruments with serial number B020000 and above, the ADD2 board contains LCD display control circuitry that processes video signals from the MIO board. All of this circuitry formerly resided on the MIO board.

Front Switch (FSW) Board

The FSW board provides interconnection between the Standby switch and μ ATX board. It includes an LED driver.

Front Connector (FCON) Board

The FCON board provides front-panel connections of the USB ports and the DC output. It includes common mode filters that suppress EMI radiation on the USB signal.

Display Panel

The active-matrix LCD display is fully controlled by Windows drivers. It is controlled by the ATI Mobility-M1 micro circuit on the MIO board, or on later models, the display adapter board. The display has a 1024 x 768 resolution. Brightness is controlled by the intensity of the backlight.

Touch Panel

The touch information from the touch screen is processed by Windows drivers, actively placing the pointer at the touched location. Actions from the mouse and the touch panel are interchangeable, and treated alike by the user interface software. The AccuTouch five-wire resistive touch screen uses a glass panel with a uniform resistive coating. A thick polyester coversheet is tightly suspended over the top of a glass substrate, separated by small, transparent insulating dots. The coversheet has a hard, durable coating on the outer side and a conductive coating on the inner side. The controller is located on the LCDA board.

Processor (μ ATX) Board The μ ATX board provides standard Windows functionality and I/O port interfaces on the rear panel. This includes RS-232, Parallel, and Ethernet ports, as well as four USB ports, including two USB2.0 ports located in the lower right front corner of the instrument. The μ ATX board receives input from the front panel and touch panel, and implements the appropriate changes. Video display data is transferred to the MIO board through the PCI bus interface. The hard drive is connected to the μ ATX board through the SATA interface, and the CD/DVD is connected to the Windows system through the IDE parallel interface.

Power Supply The power supply CVR460 is a switching AC to DC converter. It automatically detects the line voltage over the range of 90 to 264 VAC. It supplies power to all the circuitry in the instrument. No switch completely disconnects the line power from the instrument. The ON/STBY switch controls the power to the instrument through the μ ATX board circuitry. When in the “power off” condition, there is still a low power standby current to allow the system to monitor the ON/STBY switch.

Secondary Power Supply The secondary power supply ZWQ130 is a switching AC to DC converter. It automatically detects the line voltage over the range of 85 VAC to 265 VAC.

Fans Three fans on the side of the instrument provide forced air cooling. The fans are controlled by the fan speed control circuit on the PWR board and are regulated by monitoring the temperature at the circuitry.

Power (PWR2) Board The PWR2 board provides DC power to the fans, HDD, CD Drive, μ ATX board, MIO board, OUT1G board, and AWG1G board. All the power comes from the CVR460 module and the ZWQ130 module. The fan control circuit has a thermal sensor on this board. DC voltage to the fans is controlled relative to the sensed temperature. DC-DC converters are included for generating different DC voltages.

CLK1G Board The CLK1G board provides a 600 MHz to 1200 MHz clock to the AWG1G board. The clock input accepts 600 MHz to 1200 MHz clock signals from an external signal source. The reference clock input accepts 5 MHz to 800 MHz reference clock signals from an external signal source. The 10 MHz reference output can be used for synchronizing frequency between two or more instruments. The CLK1G board consists of the following blocks:

- VCO (600 MHz to 1200 MHz)
- Fractional-N PLL
- 10.0 MHz TCXO (reference oscillator)
- External reference input

AWG1G Board The AWG1G board generates arbitrary waveforms based on the waveform memory and the sequence memory. There are two types of PLDs (Xilinx FPGA) on the board. One is an AWG controller called PLD121 which interfaces to/from the MIO board. The other is a memory controller called PLD120 which generates waveform patterns. Waveform data is stored in ZBT type SRAMs. The sequence memory is included in the memory controller PLD. The AWG1G board consists of the following blocks:

- 1.2 GS/s DAC (AD9736)
- 8 channels 8:1 MUX (TEK0015 ASIC)
- PLD120 (Xilinx Virtex-4 FPGA) as a memory controller
- PLD121 (Xilinx Virtex-4 FPGA) as an AWG controller
- ZBT type SRAM for the waveform memory
- 28 bits digital output driver
- Marker output driver
- Trigger and event inputs
- DC output
- DC-DC converter

OUT1G Board The OUT1G board provides analog outputs to the front-panel connector. Amplitude, filter, offset, add input, and On/Off controls are added to the analog outputs. The OUT1G board consists of the following blocks:

- Analog differential output amplifier
- Selectable low-pass filter
- Selectable attenuator
- Add input from external
- Control D/A for offset setting
- Level monitor A/D
- Relay driver
- Controller PLD

Adjustment Procedures

This section contains information about instrument adjustment. Only qualified personnel should perform adjustment procedures. Read the Service Safety Summary and the General Safety Summary before performing any service procedures.

NOTE. *Before performing adjustment procedures, you must warm up the arbitrary waveform generator at least 20 minutes in an ambient temperature between 20 °C and 30 °C. Adjustments performed before warm-up or outside this temperature range may result in poor performance.*

Adjustment Interval

If the instrument fails performance tests (refer to the *AWG5000B Series Arbitrary Waveform Generators Specifications and Performance Verification Technical Reference*), then adjustment may be required.

If periodic calibration is one of your requirements, a general rule is to verify performance and make adjustments (only if needed) every 2000 hours of operation or once a year if the instrument is used infrequently.

Adjustment After Repair

After removal and replacement of a module due to electrical failure, you must perform the adjustment procedure if the module you replaced is marked “yes” in the following table. (See Table 1.)

Table 1: Adjustments required for module replaced

| Module replaced | Adjustment required |
|------------------------|----------------------------|
| Hard disk assembly | No |
| Fan tray unit | No |
| Front panel assembly | No |
| Drive bay module | No |
| MIO board | Yes |
| Display Adapter board | No |
| Processor module | No |
| Power supply | No |
| Power board | No |
| CLK1G module | Yes |
| AWG1G board | Yes |
| OUT1G board | Yes |

Required Equipment

You will need the following equipment:

Table 2: Test equipment

| Description | Minimum requirements | Recommended equipment | Quantity |
|-----------------------|---------------------------------|--------------------------------------|----------|
| Frequency counter | Accuracy: within ± 0.01 ppm | Agilent 53181A | 1 ea |
| 50 Ω BNC cable | | Tektronix part number 012-0057-01 | 1 ea |

Adjustment Overview

The adjustment procedure contains three adjustment items. Before performing adjustment procedures, you must warm up the arbitrary waveform generator at least 20 minutes in an ambient temperature between 20 °C and 30 °C.

Enable the Service Menu

You must enable the Service menu to perform the adjustment procedure. To do this:

1. Power on the instrument.
2. Select the **System** menu from the menu bar, and then select **Service Mode...**
3. The following dialog box is displayed. Enter the password “1185”.



4. The following service UI menu is displayed:

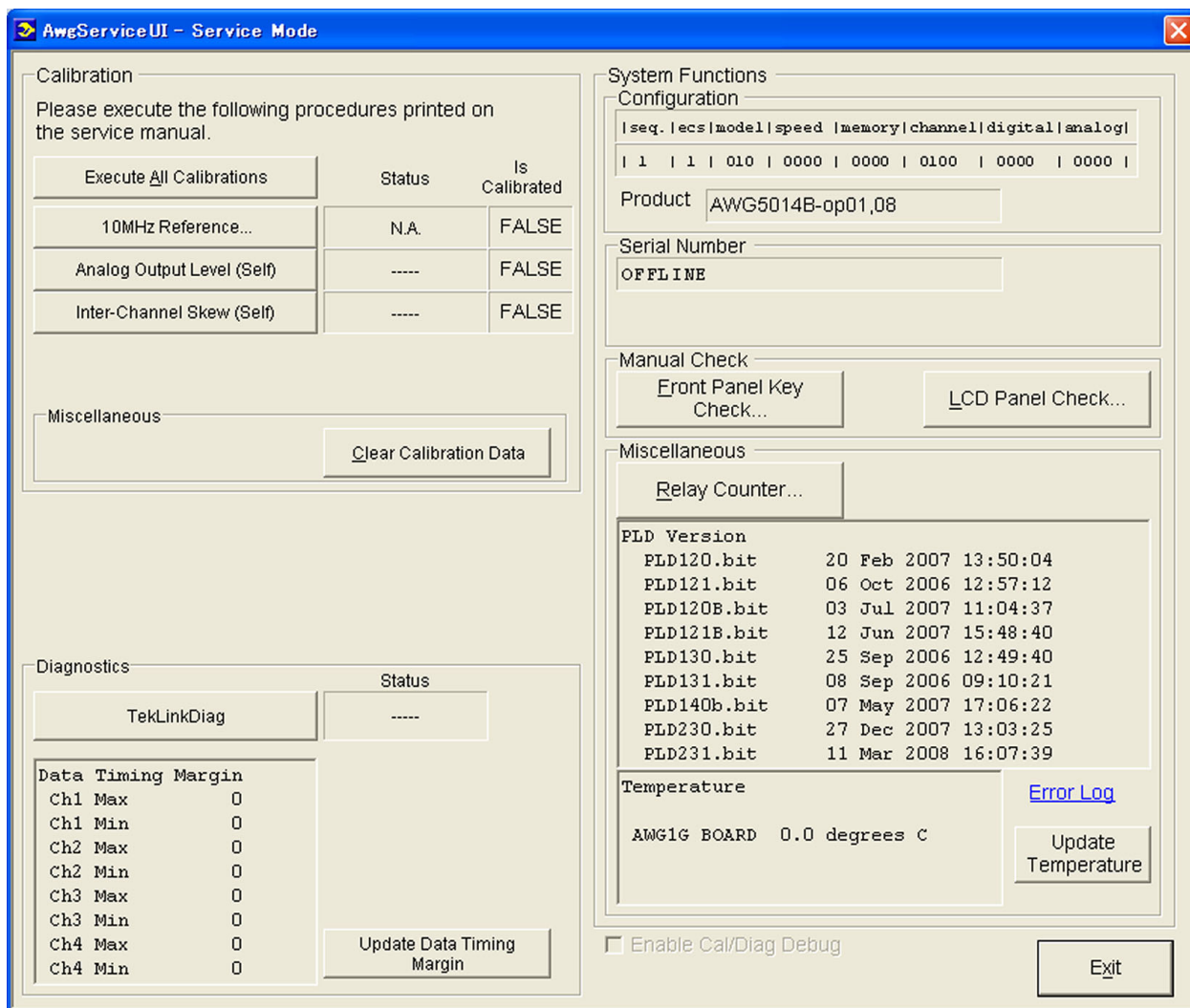


Figure 2: Service UI menu

The left half of the window with the title Calibration is the calibration part of the window. You can perform the calibrations either all in one step or individually. However, since the calibration sequence is predefined, follow the sequence from the top. You must finish a calibration item listed on the upper part of the screen before performing the lower part of the items. Some items may be grayed out, depending on your instrument option configurations.

Individual Calibrations

To perform individual calibrations, click the calibration buttons, starting with **10 MHz Reference...**, and the corresponding calibrations are executed.

Execute All Calibrations

To perform all calibrations in one step, click **Execute All Calibrations** and all calibrations are executed in order starting from the top.

Saving the Calibration Results to EEPROM

When the calibration has been performed and the results are saved to the EEPROM (regardless of the item, all results are saved to the EEPROM on the MIO board), the flag under Is Calibrated will be set to TRUE. If the calibration was successful, the Status field will display PASS. If the calibration failed, FAIL will be displayed.

There are two types of calibration: Self calibration and Manual calibration.

- Self calibration - The instrument performs the calibration item and ends automatically.
- Manual calibration - This calibration item requires external devices and manual data input. (See Table 2 on page 10.)

A warning message is displayed if you click a calibration button without waiting for 20 minutes after the instrument powered on. Click the Cancel button and allow at least 20 minutes for the instrument to warm up.

Calibration Procedure

10 MHz Reference Clock Calibration

This procedure adjusts the built-in TCXO oscillator frequency for the 10 MHz Reference Output.

Required equipment

- One frequency counter
- One 50 Ω BNC cable

Prerequisites

1. Install the test hookup and preset the instrument controls:
 - a. Use the 50 Ω BNC cable to connect the 10 MHz Reference Output connector on the AWG5000B rear panel to the CHANNEL 1 connector on the frequency counter. (See Figure 3.)

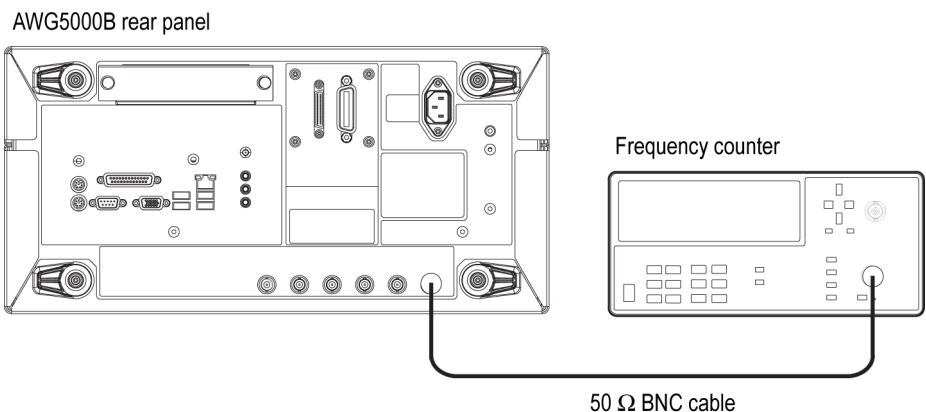


Figure 3: 10 MHz Reference clock calibration test hookup

2. Set the frequency counter as follows:
 - a. Input impedance: AC, 50 Ω
 - b. Gate time: 0.1 s
3. Click the **10MHz Reference...** button in the Service UI menu to display the following dialog box:

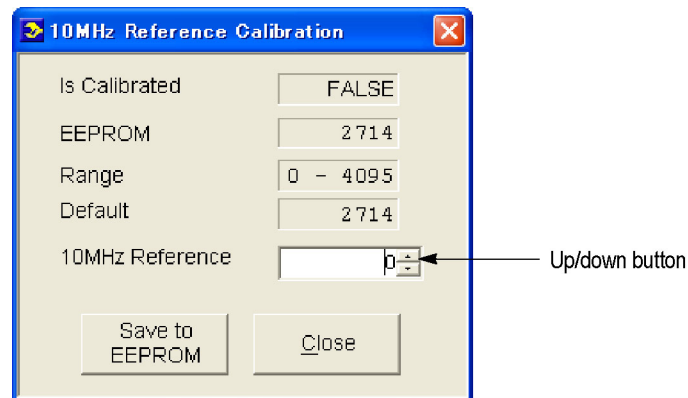


Figure 4: 10 MHz Reference Calibration dialog box

4. Change the **10MHz Reference DAC** value using the up/down button or the front-panel rotary knob so that the frequency counter reading is within the range of 10 MHz \pm 1 Hz.
5. Click **Save to EEPROM** to save the data to the EEPROM.
6. Click **Close** to close the dialog box.

Analog Output Level Calibration

This is a self calibration. Click the **Analog Output Level (Self)** button in the Service UI menu. This calibration ensures that the analog output levels are within the specified range.

Inter-Channel Skew Calibration

This is a self calibration. Click the **Inter-Channel Skew (Self)** button in the Service UI menu. This calibration ensures that the inter-channel skews are within the specified range.

This completes the adjustment procedures. Disconnect the equipment from the instrument.

Maintenance

This section contains information needed to do periodic and corrective maintenance on the instrument. The following subsections are included:

- *Preparation* – Tells you how to prepare for arbitrary waveform generator maintenance.
- *Preparation Preventing ESD* – Provides general information on preventing damage to internal modules when doing maintenance.
- *Inspection and Cleaning* – Information and procedures for inspecting the instrument and cleaning its external and internal modules.
- *Removal and Installation Procedures* – Procedures for the removal of defective modules and installation of new or repaired modules.
- *Troubleshooting* – Information for isolating failed modules. Included are instructions for operating the instrument diagnostic routines and troubleshooting trees. Most of the trees make use of the internal diagnostic routines to speed fault isolation to a module.

Preparation

Only qualified persons should perform service procedures. Before performing any service procedures, read the *Service Safety Summary* and *General Safety Summary* at the front of this manual and the ESD information below. Also refer to the Operating Information section and your arbitrary waveform generator quick start user manual for information about using the arbitrary waveform generator.

Preventing ESD

When performing any service that requires internal access to this instrument, adhere to the following precautions to avoid damaging internal modules and their components due to electrostatic discharge (ESD).



CAUTION. *Static discharge can damage any semiconductor component in this instrument.*

- Minimize handling of static-sensitive modules.
- Transport and store static-sensitive modules in their static protected containers or on a metal rail. Label any package that contains static-sensitive modules.
- Discharge the static voltage from your body by wearing a grounded antistatic wrist strap while handling these modules. Service static-sensitive modules only at a static-free work station.

- Do not allow anything capable of generating or holding a static charge on the work station surface.
- Handle circuit boards by the edges when possible.
- Do not slide the modules over any surface.
- Avoid handling modules in areas that have a floor or work-surface covering capable of generating a static charge.

Inspection and Cleaning

Inspection and Cleaning describes how to inspect for dirt and damage, and how to clean the exterior and interior of the instrument. Inspection and cleaning are done as preventive maintenance. Preventive maintenance, when done regularly, may prevent instrument malfunction and enhance its reliability.

Preventive maintenance consists of visually inspecting and cleaning the instrument and using general care when operating it.

How often to do maintenance depends on the severity of the environment in which the instrument is used. A proper time to perform preventive maintenance is just before instrument adjustment.

General Care

For optimum performance, follow these recommendations:

- Protect the instrument from adverse weather conditions. The instrument is not waterproof.
- Do not store or leave the instrument where the liquid crystal display (LCD) will be exposed to direct sunlight or high humidity for long periods of time.
- The cabinet helps keep dust out of the instrument and must be in place during normal operation.
- To avoid damage to the instrument, do not expose it to any sprays, liquids, or solvents.

Inspection and Cleaning procedures

The collection of dirt on internal components can cause them to overheat and fail. Dirt also provides an electrical conduction path that could cause an instrument failure, especially under high-humidity conditions. Inspect the instrument as often as operating conditions require.



WARNING. Before performing any of the following procedures, power down the instrument and disconnect it from line voltage.



CAUTION. Avoid the use of chemical cleaning agents, which might damage the plastics used in this AWG5000B Series Arbitrary Waveform Generator. Use only deionized water when cleaning the front-panel buttons. Use an ethyl alcohol solution as a cleaner and rinse with deionized water.

Inspection – Exterior. Inspect the outside of the instrument for damage, wear, and missing parts, using the following table as a guide. An instrument that appears to have been dropped or otherwise abused should be checked thoroughly to verify correct operation and performance. Immediately repair defects that could cause personal injury or further damage to the instrument.

Table 3: External inspection checklist

| Item | Inspect for | Repair action |
|----------------------------------|--|---|
| Cabinet, front-panel, and cover | Cracks, scratches, deformations, damaged hardware or gaskets. | Repair or replace defective module. |
| Front-panel knob | Missing, damaged, or loose knob. | Repair or replace missing or defective knob. |
| Connectors | Broken shells, cracked insulation, and deformed contacts. Dirt in connectors. | Repair or replace defective modules. Clear or wash out dirt. |
| Carrying handle and cabinet feet | Correct operation. | Repair or replace defective module. |
| Accessories | Missing items or parts of items, bent pins, broken or frayed cables, and damaged connectors. | Repair or replace damaged or missing items, frayed cables, and defective modules. |

Cleaning Procedure – Exterior. Do the following steps to clean the instrument exterior:

1. Remove loose dust on the outside of the instrument with a lint-free cloth. Use care to avoid scratching the clear glass display shield.
2. Remove remaining dirt with a lint-free cloth dampened in a general purpose detergent-and-water solution. Do not use abrasive cleaners.



CAUTION. *To prevent getting moisture inside the instrument during external cleaning, use only enough liquid to dampen the cloth or applicator.*

NOTE. *To avoid damage to the surface of the instrument, do not use any abrasive or chemical cleaning agents.*

Flat Panel Display Cleaning

The display is a soft plastic display and must be treated with care during cleaning.



CAUTION. *Improper cleaning agents or methods can damage the flat panel display.*

Avoid using abrasive cleaners or commercial cleaners to clean the display surface.

Avoid spraying liquids on the display surface.

Avoid scrubbing the display with excessive force.

Clean the flat panel display surface by gently rubbing the display with a clean-room wipe (such as Wypall Medium Duty Wipes, #05701, available from Kimberly-Clark Corporation).

If the display is very dirty, moisten the wipe with distilled water or a 75% isopropyl alcohol solution and gently rub the display surface. Avoid using excess force or you may damage the plastic display surface.



CAUTION. *To prevent getting moisture inside the instrument during external cleaning, use only enough liquid to dampen the cloth or applicator.*

Inspection – Interior. To access the inside of the instrument for inspection and cleaning, refer to the Removal and Installation Procedures in this section.

Inspect the internal portions of the instrument for damage and wear, using the following table as a guide. Defects should be repaired immediately.

If any circuit board is repaired or replaced, you must perform the Performance Verification procedure, found in the AWG5000B Series Arbitrary Waveform Generators Specifications and Performance Verification manual, which was provided with the instrument. This manual is also available on the Tektronix Web site (www.tektronix.com/manuals). If the instrument fails the Performance Verification tests, you must also perform the Adjustments procedure.



CAUTION. To prevent damage from electrical arcing, ensure that circuit boards and components are dry before applying power to the instrument.

Table 4: Internal inspection checklist

| Item | Inspect for | Repair action |
|---------------------|---|---|
| Front and rear case | Cracks or deformations. Scratched lettering or display filter. Loose connectors or labels. | Repair or replace defective hardware. |
| Circuit boards | Loose, broken, or corroded solder connections. Burned circuit boards. Burned, broken, or cracked circuit-run plating. | Remove failed module and replace with a new module. |
| Solder connections | Cold solder or rosin joints. | Resolder joint and clean with ethyl alcohol. |
| Wiring and cables | Loose plugs or connectors. Burned, broken, or frayed wiring. | Firmly seat connectors. Repair or replace modules with defective wires or cables. |
| Chassis | Dents, deformations, and damaged hardware. | Straighten, repair, or replace defective hardware. |

Cleaning Procedure – Interior. Do the following steps to clean the instrument interior:

1. Blow off dust with dry, low-pressure, deionized air (approximately 9 psi).
2. Remove any remaining dust with a lint-free cloth dampened in isopropyl alcohol (75% solution) and rinse with warm deionized water. (A cotton-tipped applicator is useful for cleaning in narrow spaces and on circuit boards.)

NOTE. If steps 1 and 2 do not remove all the dust or dirt, please contact Tektronix. (See *Contacting Tektronix at the front of this manual.*)

Lubrication. There is no periodic lubrication required for the AWG5000B Series Arbitrary Waveform Generator.

Removal and Installation Procedures

This section contains procedures for removal and installation of all mechanical and electrical modules.

Preparation



WARNING. *Before performing this or any other procedure in this manual, read the General Safety Summary and Service Safety Summary found at the beginning of this manual.*

To prevent damage to the instrument components, read Preventing ESD in this section.

Before doing any procedure in this section, disconnect the power cord from the line voltage source.

This section contains the following items:

- This preparatory information that you need to properly do the following procedures.
- List of tools required to remove and disassemble all modules.
- Procedures for removal and reinstallation of the modules.

NOTE. *Read Required Equipment for a list of the tools needed to remove and install modules in this instrument. (See page 22, Required Equipment.) Read the cleaning procedure before disassembling the instrument for cleaning.*

Adjustment after repair

After the removal and replacement of a module due to electrical failure, perform the adjustment procedures. Refer to the Adjustment Procedures section.

List of Modules

The Replaceable Parts section provides a list of all replaceable modules.

Summary of Procedures

Disassembly for replacement is best achieved by removing and replacing the modules in a specific order. Complete disassembly is best achieved by the following procedures in the order given in the following figures.

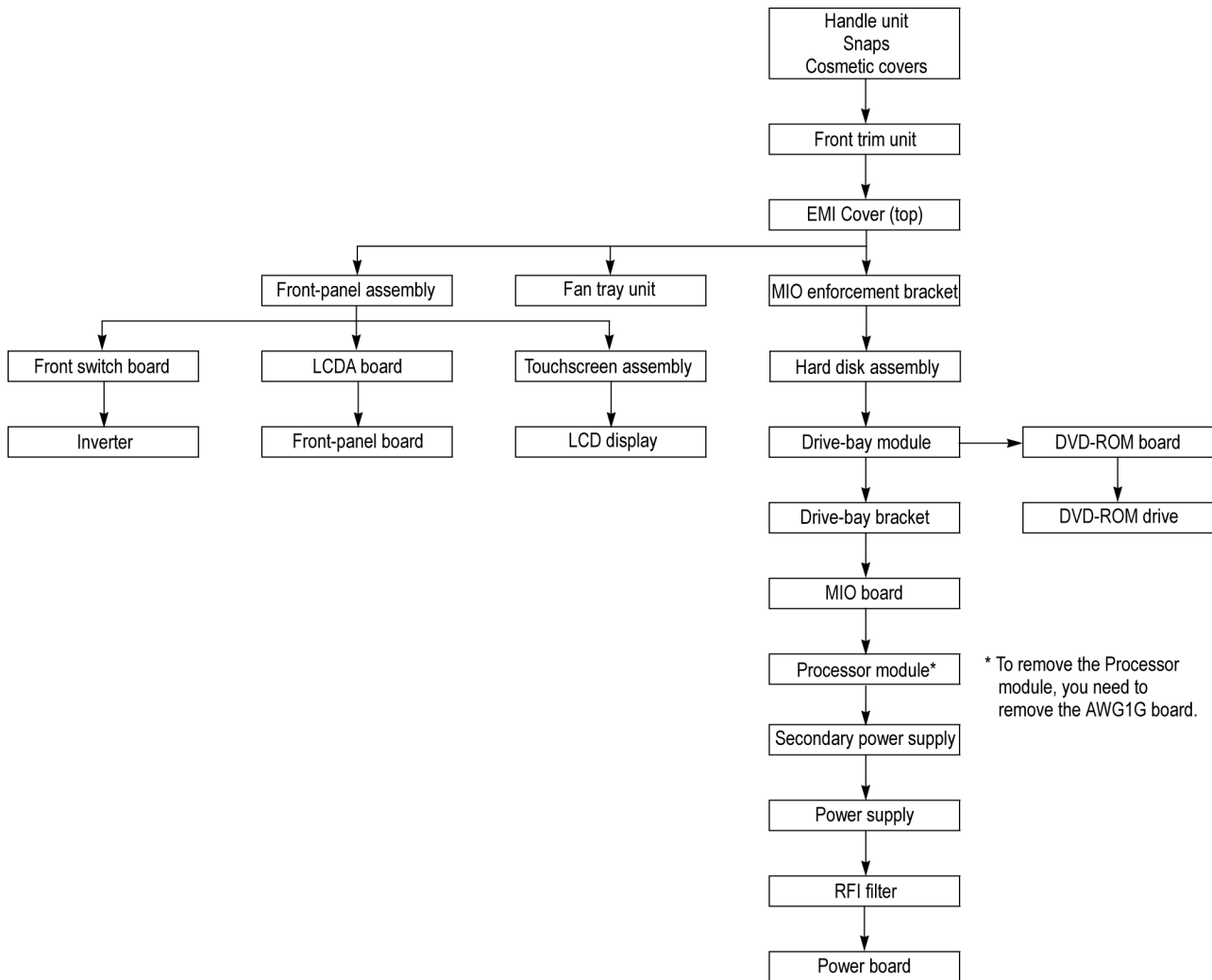


Figure 5: Disassembly procedures for external modules and internal modules (top)

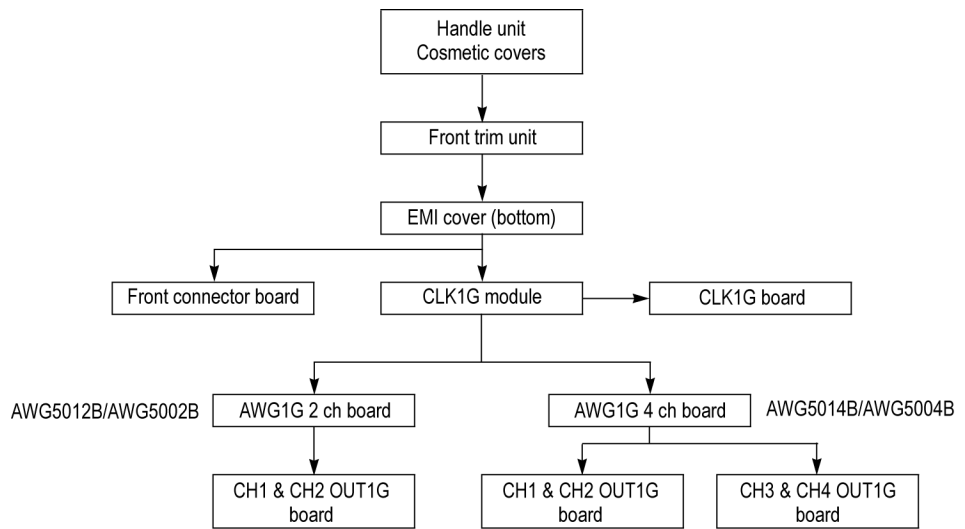


Figure 6: Disassembly procedures for internal modules (bottom)

Required Equipment

Most modules in the instrument can be removed with a screwdriver handle mounted with a size T-15, Torx screwdriver tip. All equipment required to remove and reinstall the modules is listed in the following table.

Table 5: Required tools for module removal and reinstall

| Item # | Name | Description | General tool # |
|--------|---------------------------|---|----------------|
| 1. | Screwdriver handle | Accepts Torx-driver bits | 620-440 |
| 2. | T-15 Torx tip | Torx-driver bit for T-15 size screw heads | 640-247 |
| 3. | T-10 Torx tip | Torx-driver bit for T-10 size screw heads | |
| 4. | T-20 Torx tip | Torx-driver bit for T-20 size screw heads | |
| 5. | #1 Phillips screwdriver | Screwdriver for removing #1 size Phillips screws | Standard tool |
| 6. | #2 Phillips screwdriver | Screwdriver for removing # 2 size Phillips screws | Standard tool |
| 7. | 3/16 inch open-end wrench | Used to remove nut posts | Standard tool |
| 8. | Angle-Tip Tweezers | Used to remove the front-panel knob | Standard tool |
| 9. | Wire cutter | Used to remove cable ties | Standard tool |

Procedures for External Modules

Handle Unit You need a screwdriver with a T-20 Torx tip (items 1 and 4).

Removal. To remove the handle unit, follow these steps: (See Figure 7 on page 24.)

1. Remove the two screws securing the handle base bracket to the cosmetic cover.
2. Grasp the bracket and handle away from the cosmetic cover.

Installation. To install, reverse this procedure.

Snaps You need a screwdriver with a T-15 Torx tip (items 1 and 2).

Removal. To remove the snaps, follow these steps: (See Figure 7 on page 24.)

1. Remove the four screws securing the snaps to the cosmetic cover.
2. Lift the snaps away from the cosmetic cover.

Installation. To install, reverse this procedure.

Cosmetic Cover (Top) You need a screwdriver with a T-15 Torx tip (items 1 and 2).

Removal. To remove the top cosmetic cover, follow these steps: (See Figure 7 on page 24.)

1. Remove the snaps.
2. Remove the two screws (side) and three screws (top) securing the cosmetic cover to the chassis.
3. Loosen the cover with a detaching tool, such as a flat-blade screwdriver.
4. Tilt the rear side of the cover up, and then pull it off the chassis.

Installation. To install, reverse this procedure.

Cosmetic Cover (Bottom) You need a screwdriver with a T-15 Torx tip (items 1 and 2).

Removal. To remove the top cosmetic cover, follow these steps: (See Figure 7 on page 24.)

1. Remove the handle unit.
2. Orient the instrument so its top is down on the work surface and its rear is facing you.

3. Remove the two screws (side) and three screws (bottom) securing the cosmetic cover to the chassis.
4. Loosen the cover with a detaching tool, such as a flat-blade screwdriver.
5. Tilt the rear side of the cover up, and then pull it off the chassis.

Installation. To install, reverse this procedure.

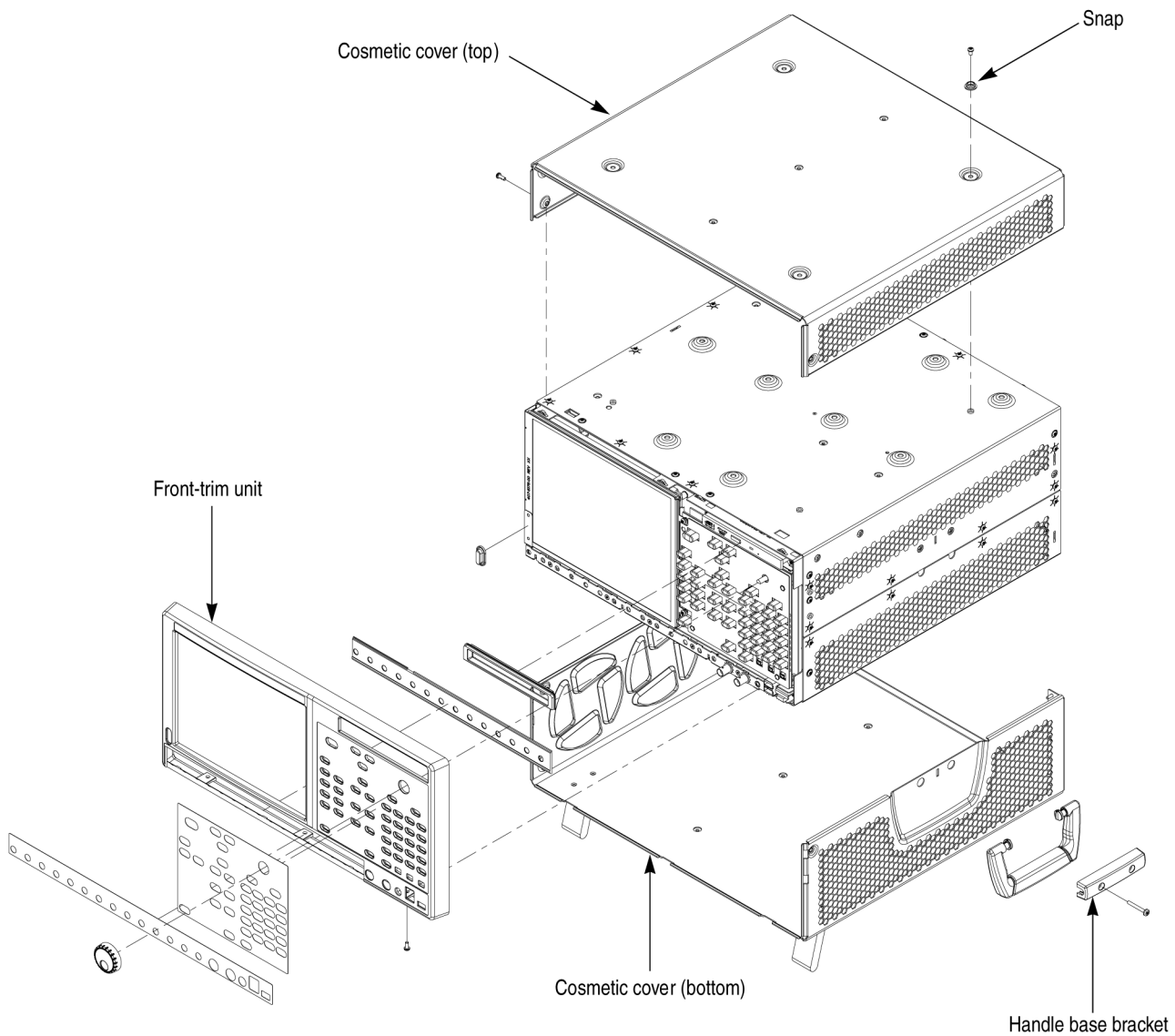


Figure 7: Handle, snaps, cosmetic covers, and front-trim unit removal

Front-Trim Unit

You need a screwdriver with a T-15 Torx tip and angle-tip tweezers (items 1, 2, and 8).

Removal. To remove the front-trim unit, follow these steps: (See Figure 7 on page 24.)

1. Remove the handle unit, snaps, and cosmetic covers.
2. Orient the instrument so that the rear is on the work surface.
3. Tape the power switch button down so that it will not come off the front trim.
4. Remove the knob by pulling it straight out from the front panel with the angle-tip tweezers.
5. Remove the three screws at the bottom of the front trim.
6. Grasp the bottom side of the front trim, and pull off the bottom side of it by loosening the DVD drive part.
7. The upper part of the chassis has three projections. The front trim fits in these projections. When removing the front trim, grasp its back edge and flex it upward before pulling it forward.

Installation. To install, reverse this procedure.

EMI Covers

You need a screwdriver with a T-15 Torx tip (items 1 and 2).

Removal. To remove the EMI covers, follow these steps: (See Figure 8 on page 26.)

1. Remove the handle unit, snaps, cosmetic covers, and front-trim unit.
2. Remove the top cover:
 - a. Orient the instrument so that the bottom is on the work surface.
 - b. Remove the 14 screws securing the top EMI cover to the chassis.
 - c. Lift the cover off the chassis.
3. Remove the bottom cover:
 - a. Orient the instrument so that the top is on the work surface.
 - b. Remove the 12 screws securing the bottom EMI cover to the chassis.
 - c. Lift the cover off the chassis.

Installation. To install, reverse this procedure.

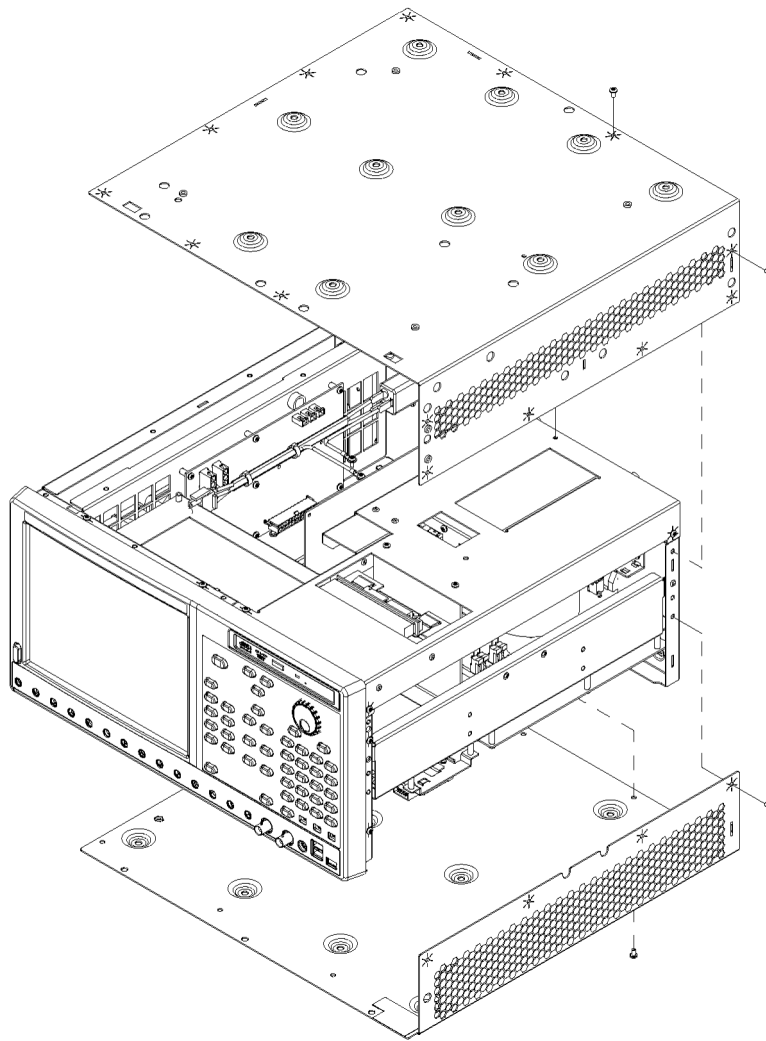


Figure 8: EMI cover removal

Hard Disk Assembly

Removal. To remove the removable hard disk assembly, follow these steps:

1. Orient the instrument so that its bottom is down on the work surface and its rear is facing you.
2. Loosen the two thumb screws securing the hard disk assembly to the instrument.
3. Holding the screw heads, pull out the removable hard disk assembly carefully.

Installation. To install, reverse this procedure.



CAUTION. *The hard disk drive is extremely susceptible to static-discharge damage, shock, dust and so on. When you store a removable hard disk assembly, put it into an anti-static plastic bag to protect it.*

Fan Tray Unit

You need a screwdriver with a T-15 Torx tip and a #2 Phillips screwdriver (items 1, 2, and 6).

Removal. To remove the fan tray unit, follow these steps: (See Figure 9.)

1. Remove the handle unit, snaps, cosmetic covers, front-trim unit, and EMI covers.
2. Disconnect the fan cables from J300, J302, and J304 on the Power board.
3. Remove the four screws securing the fan tray unit to the chassis.
4. Lift the fan tray unit away from the chassis.
5. Use a #2 Phillips screwdriver to remove the 12 screws securing the fans to the fan bracket.

Installation. To install, reverse this procedure.

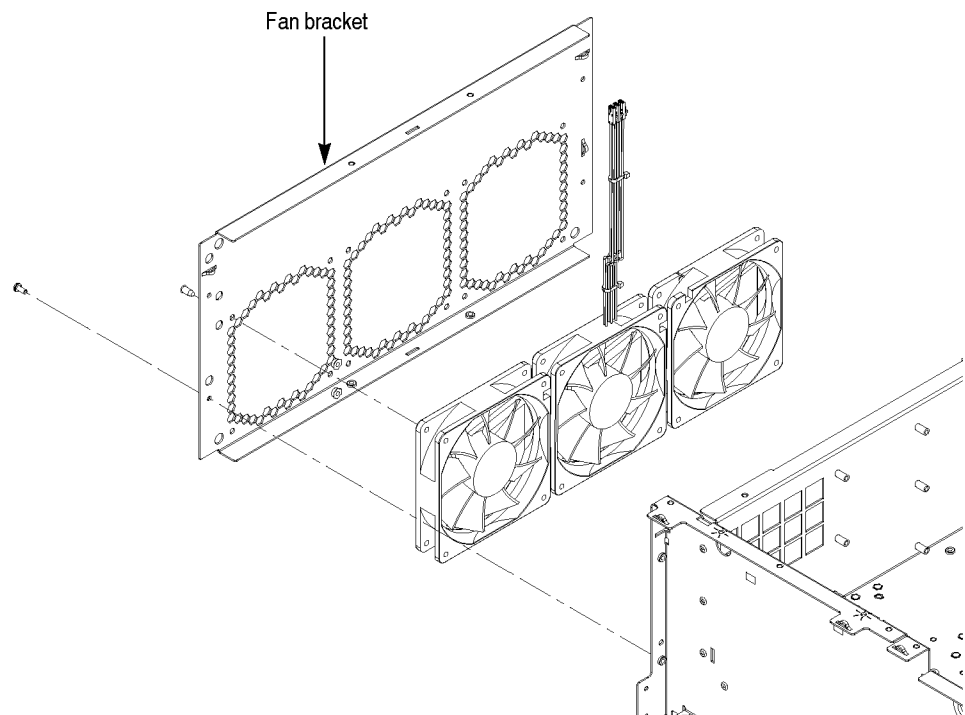


Figure 9: Fan tray unit removal

Front-Panel Unit

You need a screwdriver with a T-15 Torx tip (items 1 and 2).

Removal. To remove the front-panel unit, follow these steps: (See Figure 10 on page 30.)

1. Remove the handle unit, snaps, cosmetic covers, front-trim unit, and EMI covers.
2. Orient the instrument so that the rear is on the work surface.
3. Remove the seven screws securing the front-panel bracket to the chassis.
4. Grasp the front-panel assembly and pull it forward.
5. Disconnect the cable from J100 on the LCDA board.
6. Disconnect the cable from J300 on the LCDA board.
7. Disconnect the cable from J100 on the Front Switch board.

Installation. To install, reverse this procedure.

Front-Panel Assembly

You need a screwdriver with a T-15 Torx tip (items 1 and 2).

Removal. To remove the front-panel assembly, follow these steps: (See Figure 10 on page 30.)

1. Remove the handle unit, snaps, cosmetic covers, front-trim unit, and EMI covers.
2. Remove the LCDA board and Front Panel board:
 - a. Remove the four screws securing the LCDA board and Front Panel board to the front-panel bracket.
 - b. Remove the cables from J110, J160, and J200.
 - c. Lift the boards away from the front-panel bracket.
3. Remove the touch screen module:
 - a. Remove the two screws securing the touch screen module to the front-panel bracket.
 - b. Disconnect the cable from J200 on the LCDA board.
 - c. Lift the touch screen module away from the front-panel bracket.
4. Remove the LCD module:
 - a. Remove the four screws securing the LCD module to the front-panel bracket.
 - b. Disconnect the cable from J110 on the LCDA board.
 - c. Disconnect the cable from CN2 on the Inverter board.
 - d. Lift the LCD module away from the front-panel bracket.
5. Disassemble the front-panel assembly components, using the following figure as a guide.

Installation. To install, reverse this procedure.

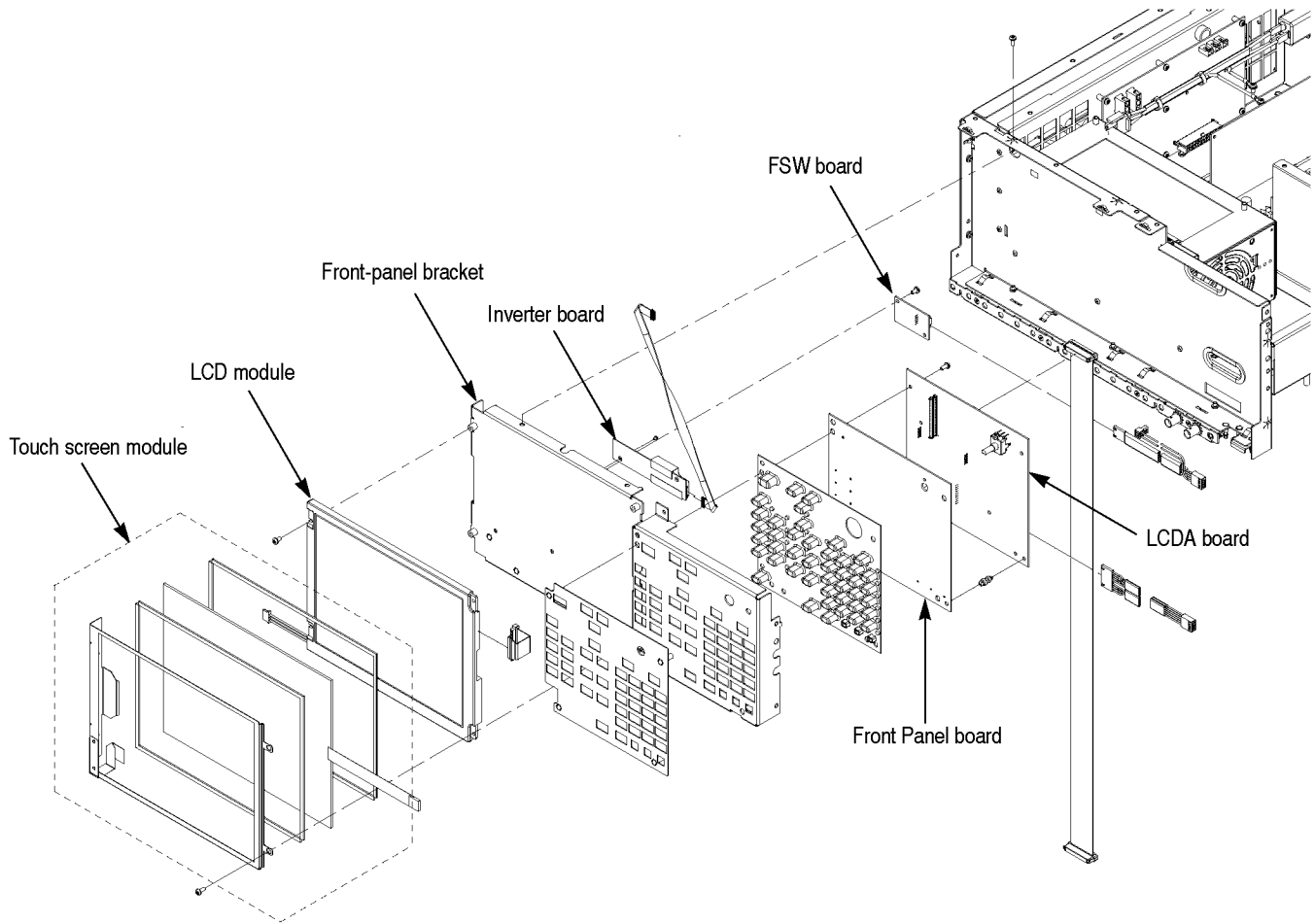


Figure 10: Disassembly of front-panel assembly

Procedures for Internal Modules (Upper)

Drive-Bay Module You need a screwdriver with a T-15 Torx tip and a wire cutter (items 1, 2, and 9).

Removal. To remove the drive-bay module, follow these steps: (See Figure 12 on page 33.)

1. Remove the handle unit, snaps, cosmetic covers, front-trim unit, EMI covers, MIO board enforcement bracket, and hard disk assembly.
2. Orient the instrument so that the bottom is on the work surface.
3. Remove the eight screws securing the drive-bay module to the chassis.
4. Use a wire cutter to remove the two cable ties. (See Figure 11.)

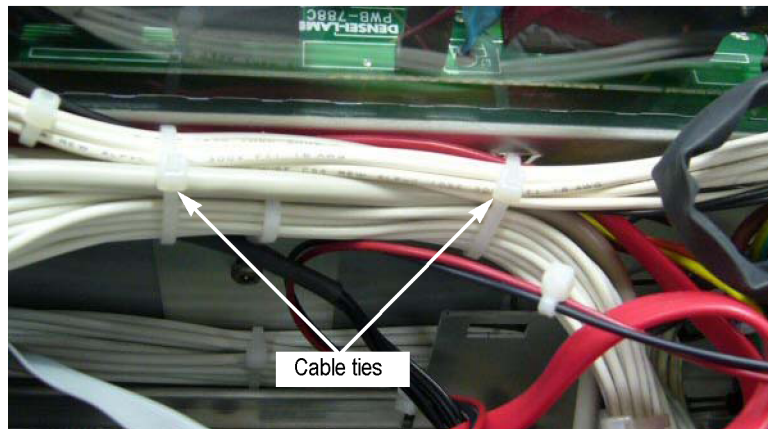


Figure 11: Location of the cable ties

5. Disconnect the cables from J101 and J104 on the Power board.
6. Disconnect the cables from J5J1 and J7J1 on the Processor board.
7. Lift the drive-bay module away from the chassis.

Installation. To install, reverse this procedure.

DVD-ROM Drive You need a screwdriver with a T-15 Torx tip and a #1 Phillips screwdriver (items 1, 2, and 5).

Removal. To remove the DVD-ROM drive, follow these steps: (See Figure 12 on page 33.)

1. Remove the handle unit, snaps, cosmetic covers, front-trim unit, EMI covers, MIO board enforcement bracket, hard disk assembly, and drive-bay module.
2. Remove the two screws securing the DVD-ROM bracket to the drive-bay chassis.
3. Slide the DVD-ROM drive with bracket out from the drive-bay chassis.
4. Remove the four screws securing the DVD-ROM drive to the bracket.

Installation. To install, reverse this procedure.

DVD-ROM Board You need a #1 Phillips screwdriver (item 5).

Removal. To remove the DVD-ROM board, follow these steps: (See Figure 12 on page 33.)

1. Remove the handle unit, snaps, cosmetic cover, front-trim unit, EMI covers, MIO board enforcement bracket, hard disk assembly, and drive-bay module.
2. Remove the two screws securing the DVD-ROM board to the DVD-ROM drive.
3. Disconnect the cable from J1 on the DVD-ROM board.
4. Disconnect the interface cable on the DVD-ROM board.
5. Lift the board away from the DVD-ROM drive.

Installation. To install, reverse this procedure.

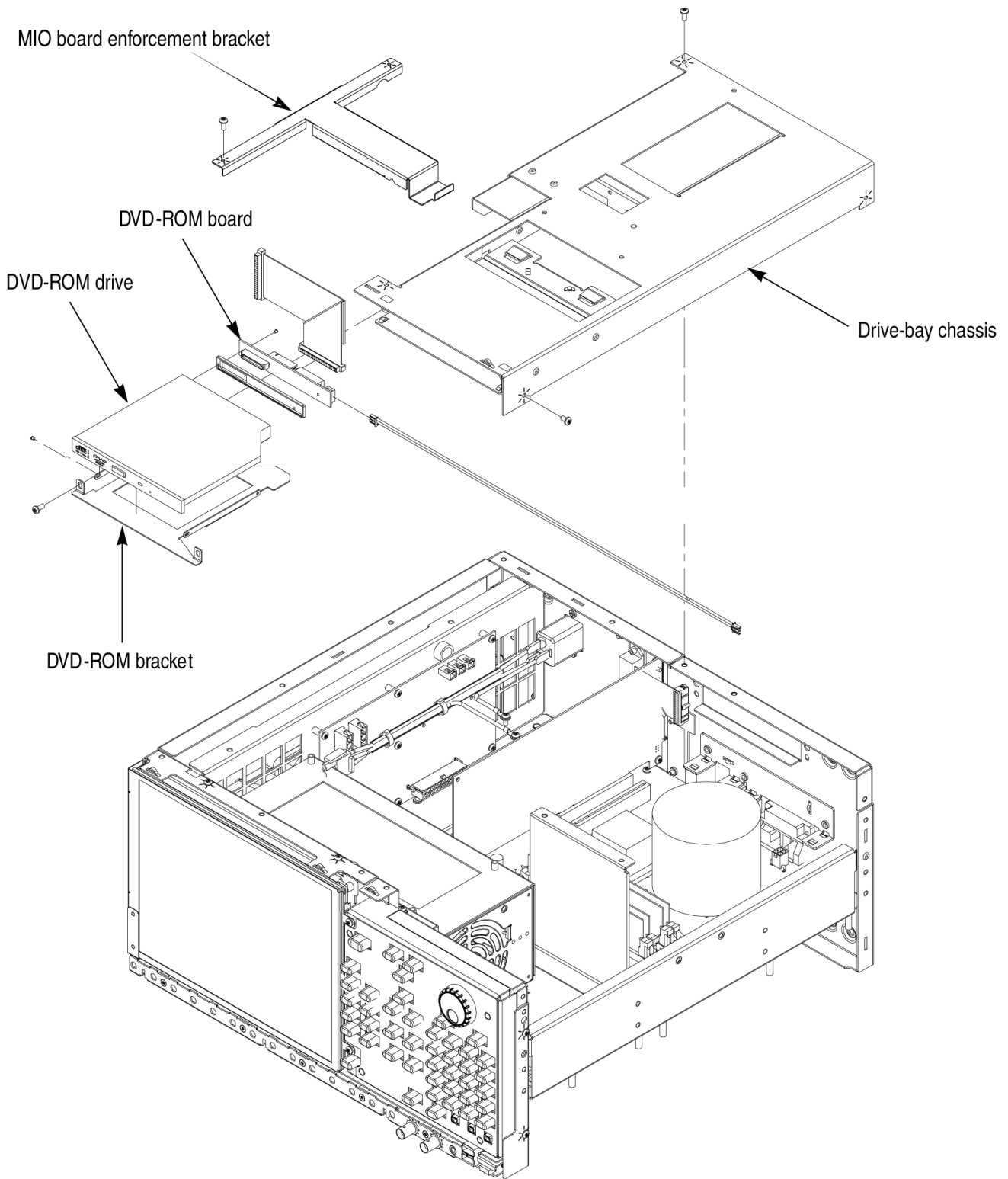


Figure 12: Drive module removal

**Multi-Input/Output Board
(Serial Numbers B010000
to B019999)**

You need a screwdriver with a T-15 Torx tip (items 1 and 2).

Removal. To remove the Multi-Input/Output (MIO) board, follow these steps: (See Figure 14 on page 35.)

1. Remove the handle unit, snaps, cosmetic covers, front-trim unit, and EMI covers, MIO board enforcement bracket, hard disk assembly, and drive-bay module.
2. Orient the instrument so that the bottom is on the work surface and the rear is facing you.
3. Remove the clamp cover from the cable clamp to release the ribbon cable. (See Figure 13.)

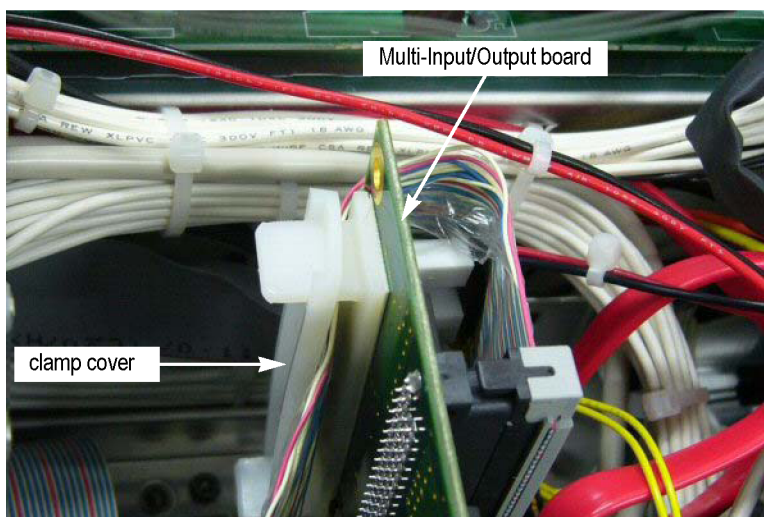


Figure 13: Removing the clamp cover

4. Disconnect the cables from J360, J670, J680, and J681 on the MIO board.
5. Remove the screws securing the MIO board to the chassis.
6. Carefully pull up on the board to loosen it from the Processor board.
7. Lift the circuit board and pull it through the rear of the chassis.
8. Remove the rear bracket and hardware from the circuit board.

Installation. To install, reverse this procedure.

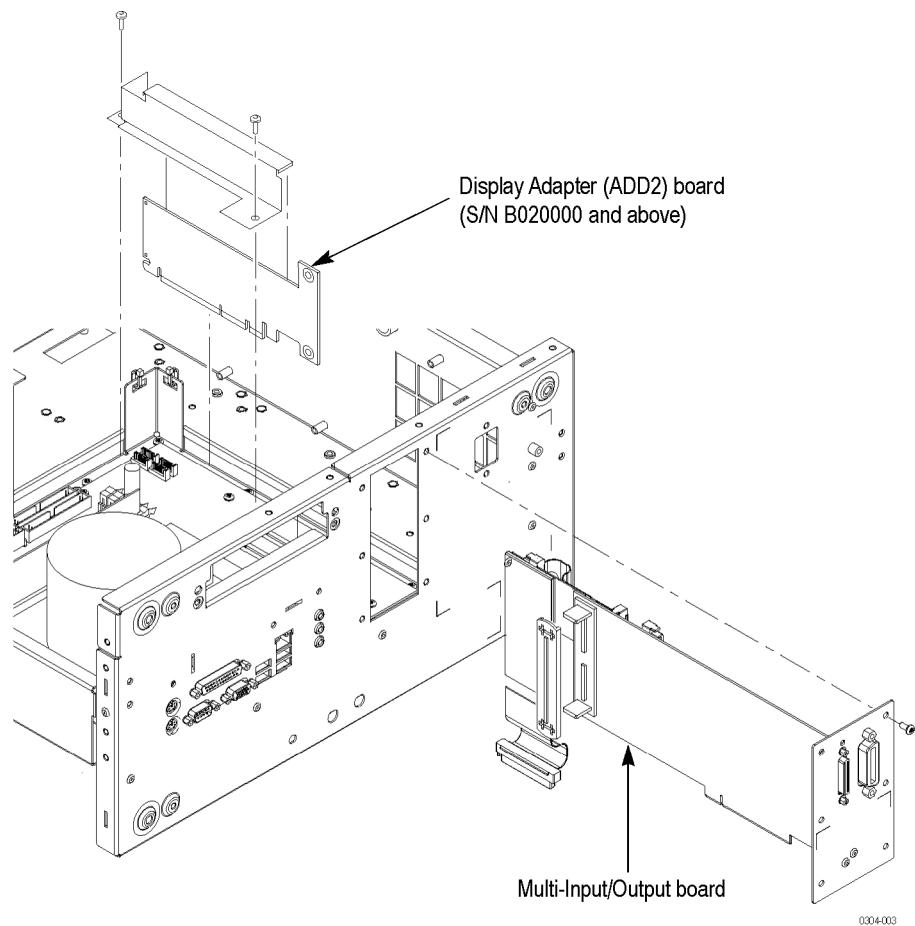


Figure 14: Multi-Input/Output and Display Adapter board removal

**Multi-Input/Output Board
(Serial Numbers B020000
and Higher)**

You need a screwdriver with a T-15 Torx tip (items 1 and 2).

Removal. To remove the Multi-Input/Output (MIO) board, follow these steps: (See Figure 14.)

1. Remove the handle unit, snaps, cosmetic covers, front-trim unit, EMI covers, MIO board enforcement bracket, hard disk assembly, and drive-bay module.
2. Orient the instrument so that the bottom is on the work surface and the rear is facing you.
3. Disconnect the cables from J360, J600, J610, and J680 on the MIO board.
4. Remove the screws securing the MIO board to the chassis.
5. Carefully pull up on the board to loosen it from the Processor board.
6. Lift the circuit board and pull it through the rear of the chassis.
7. Remove the rear bracket and hardware from the circuit board.

Installation. To install, reverse this procedure.

Display Adapter (Serial Numbers B020000 and Higher)

You need a screwdriver with a T-15 Torx tip (items 1 and 2).

Removal. To remove the Display Adapter board (ADD2 board), follow these steps: (See Figure 14 on page 35.)

1. Remove the handle unit, snaps, cosmetic covers, front-trim unit, EMI covers, MIO board enforcement bracket, hard disk assembly, and drive-bay module.
2. Orient the instrument so that the bottom is on the work surface and the rear is facing you.
3. Remove the two T-15 screws from the support bracket on the ADD2 board.
4. Disconnect the two cables from the ADD2 board.
5. Carefully pull up on the board to loosen it from the Processor board.
6. Lift the circuit board out of the chassis.

Installation. To install, reverse this procedure.

Processor Module You need a screwdriver with a T-15 Torx tip and a 3/16 inch open-end wrench (items 1, 2, and 7).

NOTE. Before you remove the processor module, you need to disconnect the ribbon cable at J1000 from the AWG1G board. (See page 46, AWG1G 2 CH Board.) (See page 47, AWG1G 4 CH Board.)

Removal. To remove the processor module, follow these steps: (See Figure 15 on page 38.)

1. Remove the handle unit, snaps, cosmetic covers, front-trim unit, EMI covers, MIO board enforcement bracket, hard disk assembly, drive-bay module, and Multi-Input/Output board.
2. Orient the instrument so that the bottom is on the work surface.
3. Remove the two screws securing the drive-bay bracket to the processor tray.
4. Lift the drive-bay bracket away from the processor tray. (If necessary, remove the ribbon cable through the hole on the drive-bay bracket.)
5. Remove the three screws securing the connector bracket to the rear panel.
6. Lift the connector bracket away from the rear panel.
7. Remove the six mounting posts securing the VIDEO connector, COM 1 connector, and PARALLEL PORT connector to the rear panel.
8. Remove the eight screws securing the Processor tray to the chassis.
9. Disconnect these cables:
 - The cable from the Power board at J2A1, J2A2, and J2J1.
 - The cable from the LCDA board at J8H1.
 - The cable from the Front Connector board at J8G2.
 - The cable from the Front Switch board and Multi-Input/Output board at J8J3.
10. Carefully lift up and slide the processor module away from the chassis.

Installation. To install, reverse this procedure.

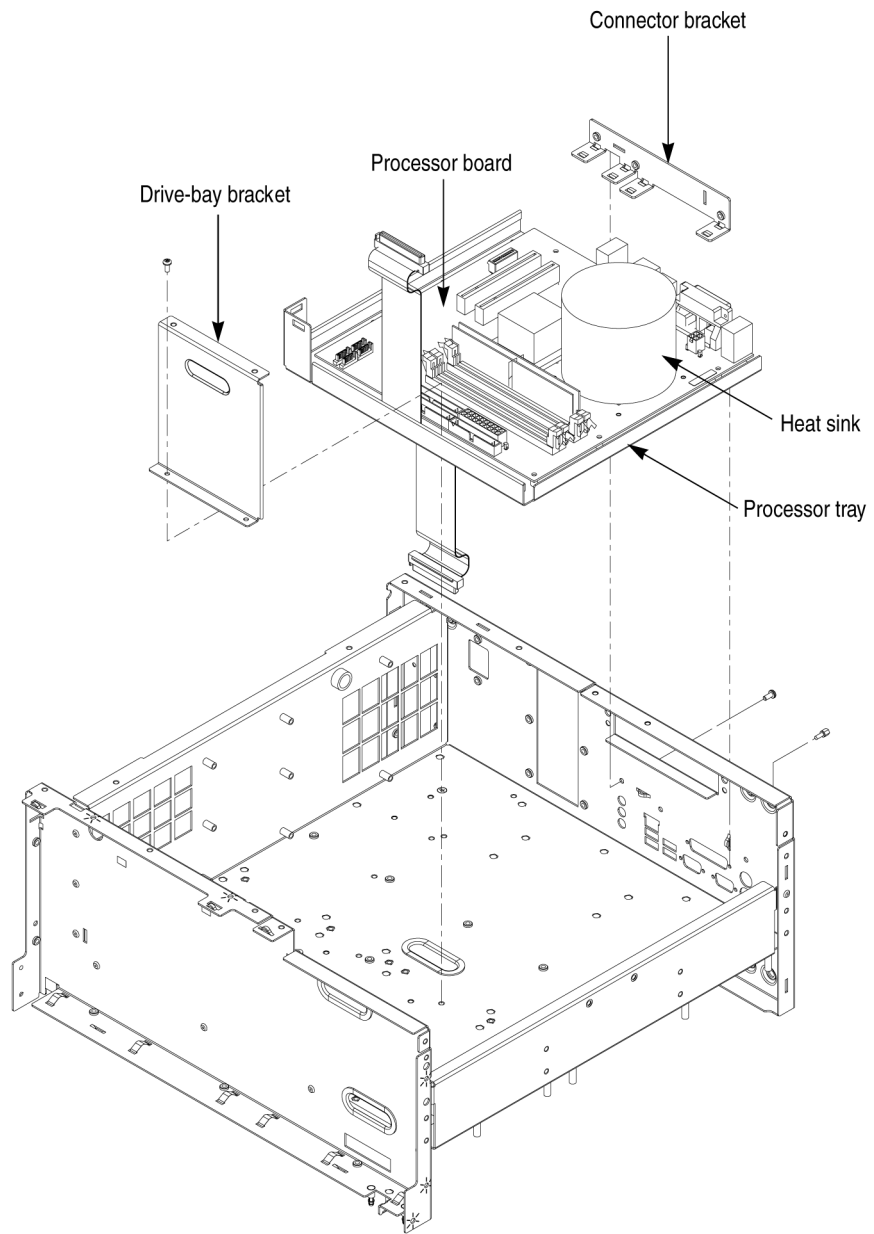


Figure 15: Processor board removal

Secondary Power Supply

You need a screwdriver with a T-15 Torx tip (items 1 and 2).

Removal. To remove the secondary power supply, follow these steps: (See Figure 16 on page 41.)

1. Remove the handle unit, snaps, cosmetic covers, front-trim unit, EMI covers, MIO board enforcement bracket, hard disk assembly, drive-bay module, and Multi-Input/Output board.
2. Orient the instrument so that the bottom is on the work surface.
3. Disconnect the cables from J610, J630, and J632 on the Power board.
4. Remove the four screws securing the secondary power supply to the power supply bracket.
5. Lift the secondary power supply with the insulator away from the chassis.
6. Remove the insulator from the power supply.
7. Remove the three cable from CN1, CN53, and CN51/CN61 on the power supply.

Installation. To install, reverse this procedure.

Power Supply

You need a screwdriver with a T-15 Torx tip (items 1 and 2).

Removal. To remove the power supply, follow these steps: (See Figure 16 on page 41.)

1. Remove the handle unit, snaps, cosmetic covers, front-trim unit, EMI covers, MIO board enforcement bracket, hard disk assembly, drive-bay module, and Multi-Input/Output board.
2. Orient the instrument so that the bottom is on the work surface.
3. Remove the six screws securing the power supply bracket to the chassis.
4. Disconnect the cable from J611 on the Power board.
5. Remove the three screws securing the bracket to the power supply.
6. Carefully slide the module to loosen it from the Power board.
7. Lift the power supply up out of the chassis.
8. Lift the bracket up out of the chassis.

Installation. To install, reverse this procedure.

RFI Filter You need a screwdriver with a T-15 Torx tip (items 1 and 2).

Removal. To remove the power supply, follow these steps: (See Figure 16 on page 41.)

1. Remove the handle unit, snaps, cosmetic covers, and EMI covers.
2. Orient the instrument so that the bottom is on the work surface.
3. Disconnect the cable from J600 on the Power board.
4. Remove the two screws securing the ground leads to the chassis.
5. Remove the two screws securing the RFI filter to the chassis.
6. Pull the RFI filter away from the chassis.

Installation. To install, reverse this procedure.

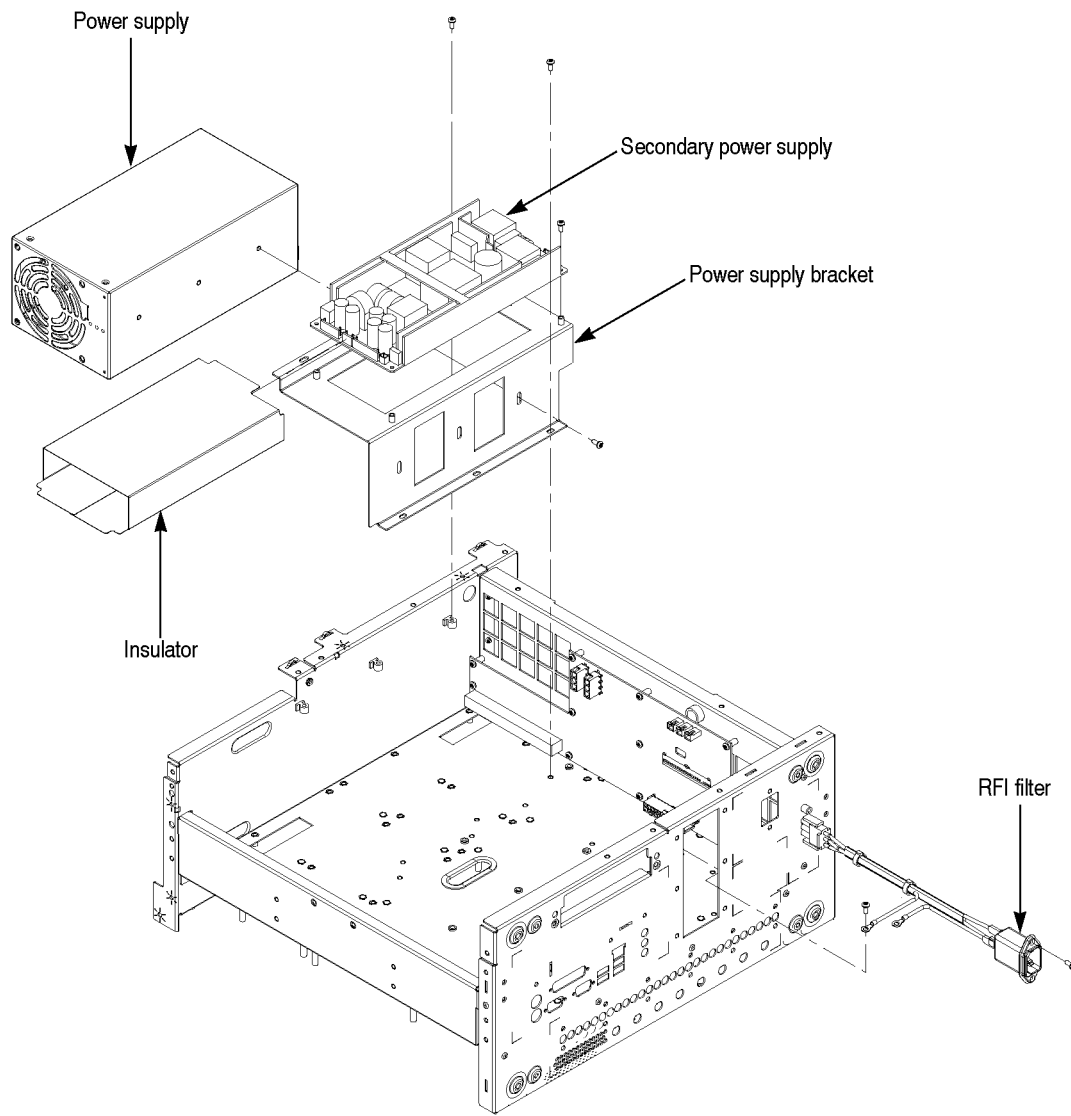


Figure 16: Secondary power supply, power supply, and RFI filter removal

Power Board You need a screwdriver with a T-15 Torx tip (items 1 and 2).

Removal. To remove the Power board, follow these steps: (See Figure 17.)

1. Remove the handle unit, snaps, cosmetic covers, front-trim unit, EMI covers, MIO board enforcement bracket, hard disk assembly, drive-bay module, power supply, Multi-Input/Output board, and Processor board.
2. Orient the instrument so that the bottom is on the work surface.
3. Disconnect the cables from J102, J103, J120, J300, J302, J304, J600, J610, J611, J630, and J632 on the Power board.
4. Remove the 10 screws securing the Power board to the chassis.
5. Lift the board away from the chassis.

Installation. To install, reverse this procedure.

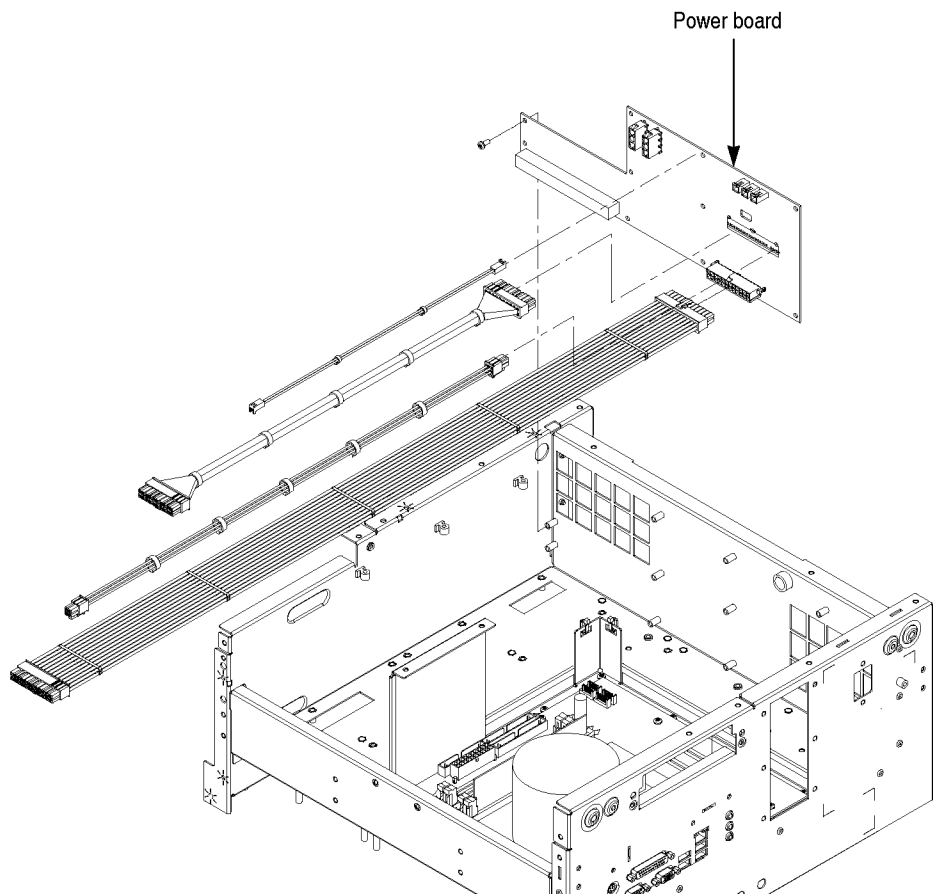


Figure 17: Power board removal

Procedures for Internal Modules (Lower)

Front Connector Board You need a screwdriver with a T-15 Torx tip (items 1 and 2).

Removal. To remove the Front Connector board, follow these steps: (See Figure 18 on page 44.)

1. Remove the handle unit, snaps, cosmetic covers, front-trim unit, and EMI covers.
2. Orient the instrument so that the top is on the work surface.
3. Disconnect the cables from J100 and J200 on the Front Connector board.
4. Remove the screw securing the Front Connector board to the chassis.
5. Grasp the board and pull it gently away from the chassis.

Installation. To install, reverse this procedure.

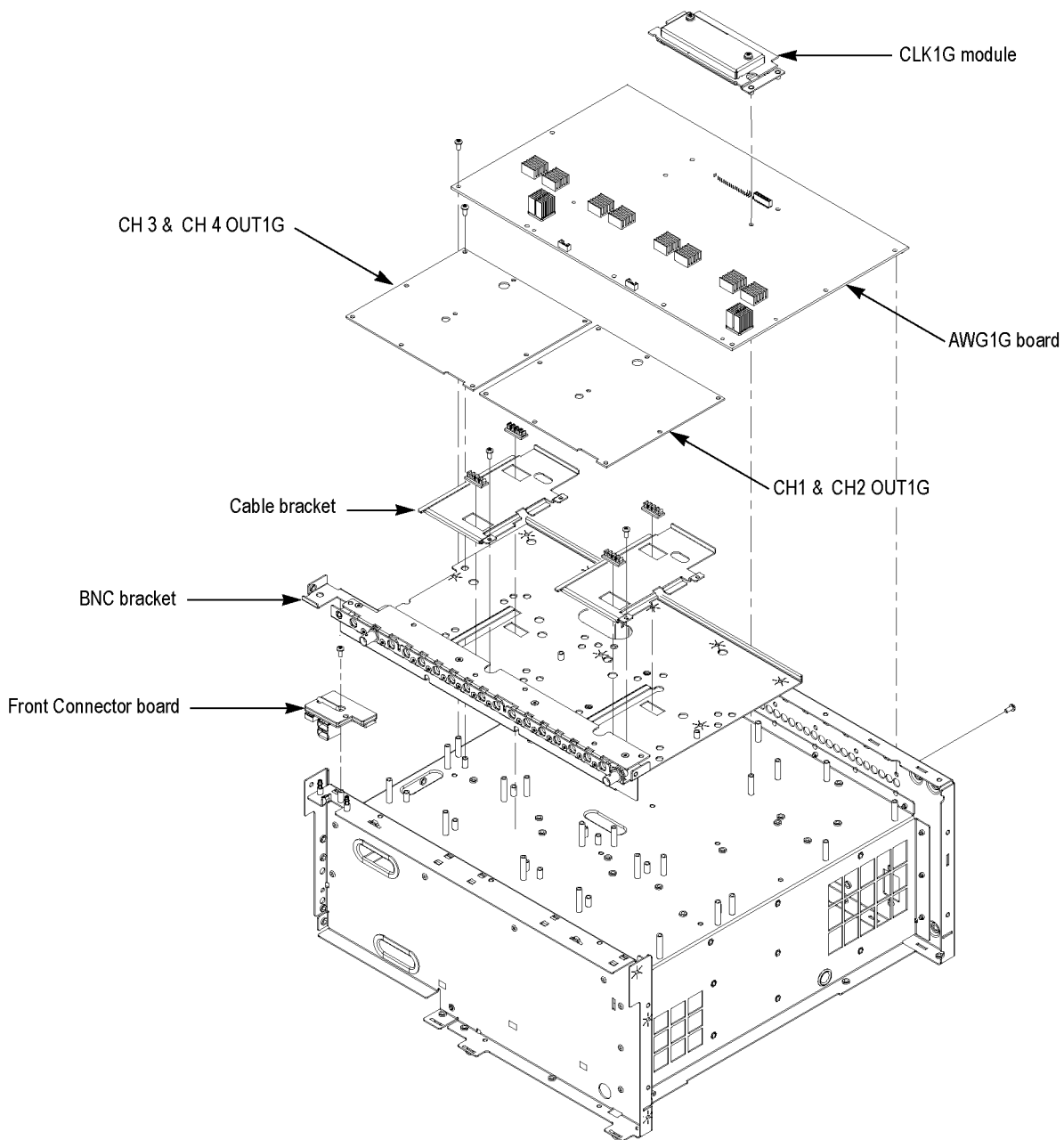


Figure 18: Front Connector board, CLK1G module, AWG1G board, and OUT1G boards removal (4-channel model)

CLK1G Module You need a screwdriver with a T-15 Torx tip (items 1 and 2).

Removal. To remove the CLK1G module, follow these steps: (See Figure 19 on page 45.)

1. Remove the handle unit, snaps, cosmetic covers, front-trim unit, and EMI covers.
2. Orient the instrument so that the top is on the work surface.
3. Disconnect these cables:
 - The cable at J3110 from the CLK1G board to the 10 MHz Reference Output connector.
 - The cable at J3120 from the CLK1G board to the Reference Clock Input connector.
 - The cable at J3230 from the CLK1G board to the AWG1G board (J3010).
4. Remove the four screws securing the bottom shield case to the chassis.
5. Carefully pull up on the CLK1G module to loosen it from the AWG1G board.
6. Remove the two screws securing the top shield case and CLK1G board to the chassis.
7. Lift the top shield case away from the CLK1G board.
8. Lift the CLK1G board away from the bottom shield case.

Installation. To install, reverse this procedure.

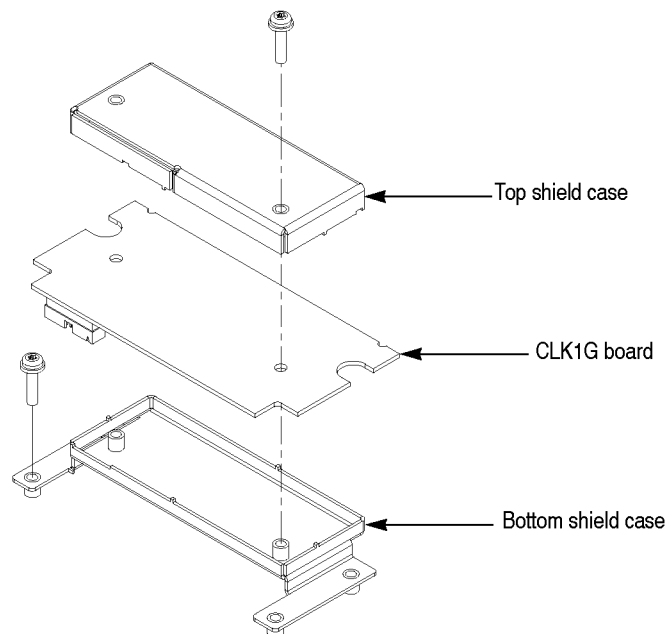


Figure 19: Disassembly of the CLK1G module

AWG1G 2 CH Board

You need a screwdriver with a T-15 Torx tip (items 1 and 2).

Removal. To remove the AWG1G 2 channel board, follow these steps: (See Figure 18 on page 44.)

1. Remove the handle unit, snaps, cosmetic covers, front-trim unit, EMI covers, and CLK1G module.
2. Orient the instrument so that the top is on the work surface.
3. Remove the screw securing the cable post to the AWG1G board. (See Figure 20.)
4. Remove the cable post.

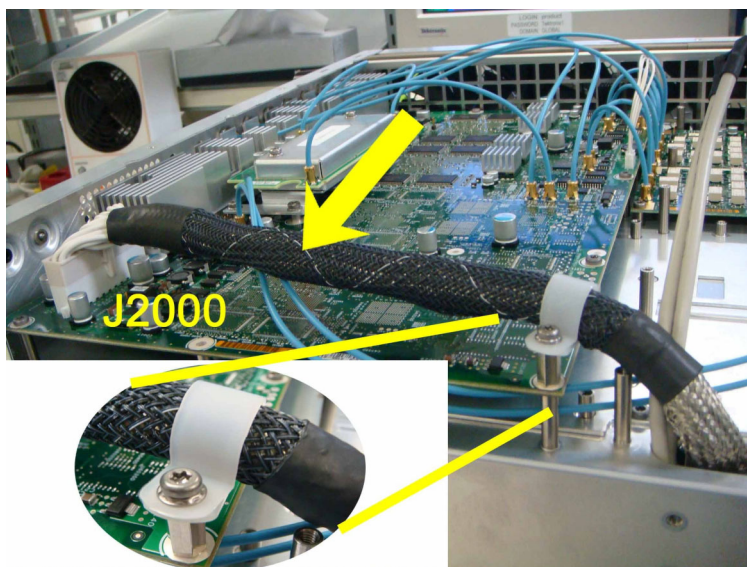


Figure 20: Cable post on the AWG1G board (2 CH)

5. Disconnect the cables at J1050, J2000, and J5000 from the AWG1G board.
6. Disconnect these Peltola cables:
 - The cable at J6020A from the AWG1G board to the CH1 & CH2 OUT1G board (J1000).
 - The cable at J6030A from the AWG1G board to the CH1 & CH2 OUT1G board (J2000).
 - The cable at J6020B from the AWG1G board to the CH1 & CH2 OUT1G board (J3000).
 - The cable at J6030B from the AWG1G board to the CH1 & CH2 OUT1G board (J4000).
 - The cable at J7800I from the AWG1G board to the Channel 1 Mkr 1 connector.

- The cable at J7810I from the AWG1G board to the Channel 1 Mkr 2 connector.
 - The cable at J7820I from the AWG1G board to the Channel 2 Mkr 1 connector.
 - The cable at J7830I from the AWG1G board to the Channel 2 Mkr 2 connector.
 - The cable at J1430 from the AWG1G board to the Trigger Input connector.
 - The cable at J1440 from the AWG1G board to the Event Input connector.
 - The cable at J3011 from the AWG1G board to the External Clock Input connector.
 - The cable at J3020 from the AWG1G board to the Oscillator Output connector.
 - The cable at J3010 from the AWG1G board to the CLK1G board.
7. Remove the 10 screws securing the AWG1G board to the chassis.
 8. Lift the board away from the chassis.
 9. Disconnect the ribbon cable at J1000 on the AWG1G board.

Installation. To install, reverse this procedure.

AWG1G 4 CH Board

You need a screwdriver with a T-15 Torx tip (items 1 and 2).

Removal. To remove the AWG1G 4 channel board, follow these steps: (See Figure 18 on page 44.)

1. Remove the handle unit, snaps, cosmetic covers, front-trim unit, EMI covers, and CLK1G module.
2. Orient the instrument so that the top is on the work surface.
3. Remove the screw securing the cable post to the AWG1G board, and then remove the cable post. (See Figure 21.)

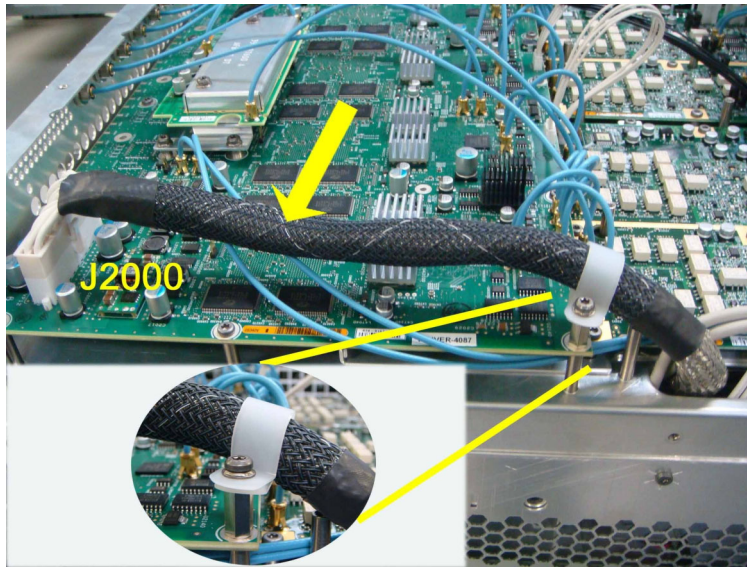


Figure 21: Cable post on the AWG1G board (4 CH)

4. Disconnect the cables at J1050, J1060, J2000, and J5000 from the AWG1G board.
5. Disconnect these Peltola cables:
 - The cable at J6020A from the AWG1G board to the CH1 & CH2 OUT1G board (J1000).
 - The cable at J6030A from the AWG1G board to the CH1 & CH2 OUT1G board (J2000).
 - The cable at J6020B from the AWG1G board to the CH1 & CH2 OUT1G board (J3000).
 - The cable at J6030B from the AWG1G board to the CH1 & CH2 OUT1G board (J4000).
 - The cable at J6020C from the AWG1G board to the CH3 & CH4 OUT1G board (J1000).
 - The cable at J6030C from the AWG1G board to the CH3 & CH4 OUT1G board (J2000).
 - The cable at J6020D from the AWG1G board to the CH3 & CH4 OUT1G board (J3000).
 - The cable at J6030D from the AWG1G board to the CH3 & CH4 OUT1G board (J4000).
 - The cable at J7800I from the AWG1G board to the Channel 1 Mkr 1 connector.

- The cable at J7810I from the AWG1G board to the Channel 1 Mkr 2 connector.
 - The cable at J7820I from the AWG1G board to the Channel 2 Mkr 1 connector.
 - The cable at J7830I from the AWG1G board to the Channel 2 Mkr 2 connector.
 - The cable at J7800J from the AWG1G board to the Channel 3 Mkr 1 connector.
 - The cable at J7810J from the AWG1G board to the Channel 3 Mkr 2 connector.
 - The cable at J7820J from the AWG1G board to the Channel 4 Mkr 1 connector.
 - The cable at J7830J from the AWG1G board to the Channel 4 Mkr 2 connector.
 - The cable at J1430 from the AWG1G board to the Trigger Input connector.
 - The cable at J1440 from the AWG1G board to the Event Input connector.
 - The cable at J3011 from the AWG1G board to External Clock Input connector.
 - The cable at J3020 from the AWG1G board to Oscillator Output connector.
 - The cable at J3010 from the AWG1G board to the CLK1G board.
6. Remove the 11 screws securing the AWG1G board to the chassis.
 7. Lift the board away from the chassis.
 8. Disconnect the ribbon cable at J1000 on the AWG1G board.

Installation. To install, reverse this procedure.

CH1 & CH2 OUT1G Board

You need a screwdriver with a T-15 Torx tip and a wire cutter (items 1, 2, and 9).

Removal. To remove the CH1 & CH2 OUT1G board, follow these steps: (See Figure 18 on page 44.)

1. Remove the handle unit, snaps, cosmetic covers, front-trim unit, EMI covers, and AWG1G board.
2. Orient the instrument so that the top is on the work surface.
3. Use a wire cutter to remove the four cable ties. (See Figure 22.)

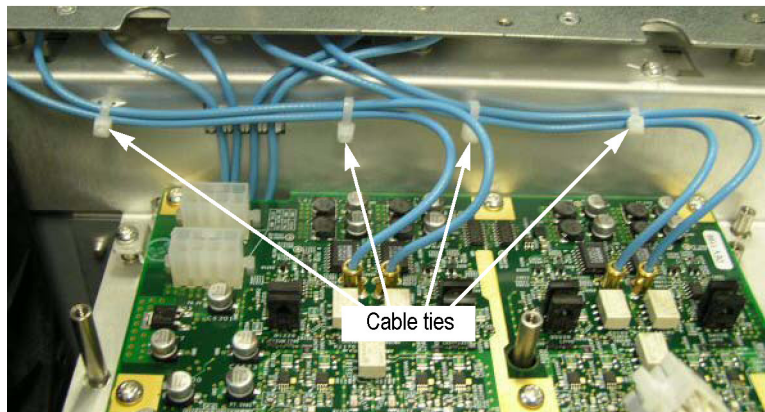


Figure 22: Location of the cable ties

4. Disconnect these cables:

- The cable at J5000 from the CH1 & CH2 OUT1G board to the AWG1G board (J1050).
- The cable at J6000 from the CH1 & CH2 OUT1G board to the Power board (J631).

5. Disconnect these Peltola cables:

- The cable at J1000 from the CH1 & CH2 OUT1G board to the AWG1G board (J6020A).
- The cable at J2000 from the CH1 & CH2 OUT1G board to the AWG1G board (J6030A).
- The cable at J3000 from the CH1 & CH2 OUT1G board to the AWG1G board (J6020B).
- The cable at J4000 from the CH1 & CH2 OUT1G board to the AWG1G board (J6030B).
- The cable at J1180 from the CH1 & CH2 OUT1G board to the Channel 1 Analog connector.
- The cable at J2180 from the CH1 & CH2 OUT1G board to the Channel 1 Analog connector.
- The cable at J3180 from the CH1 & CH2 OUT1G board to the Channel 2 Analog connector.
- The cable at J4180 from the CH1 & CH2 OUT1G board to the Channel 2 Analog connector.
- The cable at J1410 from the CH1 & CH2 OUT1G board to the Ch 1 Add Input connector.
- The cable at J3410 from the CH1 & CH2 OUT1G board to the Ch 2 Add Input connector.

6. Remove the nine screws securing the CH1 & CH2 OUT1G board to the chassis.
7. Lift the board away from the chassis.

Installation. To install, reverse this procedure.

CH3 & CH4 OUT1G Board

You need a screwdriver with a T-15 Torx tip and a wire cutter (items 1, 2, and 9).

Removal. To remove the CH3 & CH4 OUT1G board, follow these steps: (See Figure 18 on page 44.)

1. Remove the handle unit, snaps, cosmetic covers, front-trim unit, EMI covers, and AWG1G board.
2. Orient the instrument so that the top is on the work surface.
3. Use a wire cutter to remove the three cable ties. (See Figure 23.)

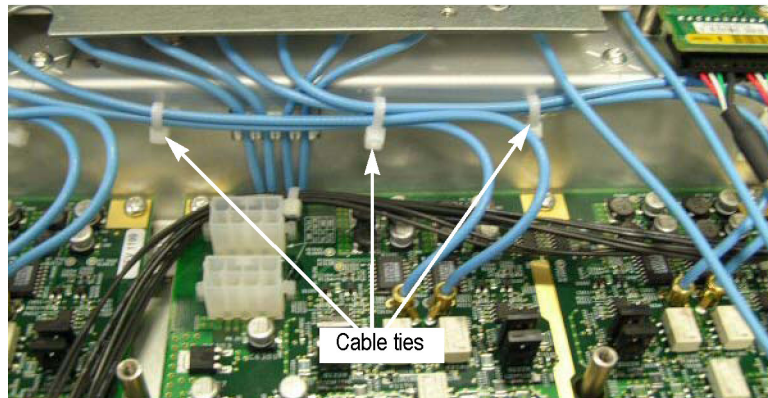


Figure 23: Location of the cable ties

4. Disconnect these cables:
 - The cable at J5000 from the CH3 & CH4 OUT1G board to the AWG1G board (J1060).
 - The cable at J7000 from the CH3 & CH4 OUT1G board to the CH1 & CH2 OUT1G board (J7000).
5. Disconnect these Peltola cables:
 - The cable at J1000 from the CH3 & CH4 OUT1G board to the AWG1G board (J6020C).
 - The cable at J2000 from the CH3 & CH4 OUT1G board to the AWG1G board (J6030C).
 - The cable at J3000 from the CH3 & CH4 OUT1G board to the AWG1G board (J6020D).

- The cable at J4000 from the CH3 & CH4 OUT1G board to the AWG1G board (J6030D).
 - The cable at J1180 from the CH3 & CH4 OUT1G board to the Channel 3 Analog connector.
 - The cable at J2180 from the CH3 & CH4 OUT1G board to the Channel 3 Analog connector.
 - The cable at J3180 from the CH3 & CH4 OUT1G board to the Channel 4 Analog connector.
 - The cable at J4180 from the CH3 & CH4 OUT1G board to the Channel 4 Analog connector.
 - The cable at J1410 from the CH3 & CH4 OUT1G board to the Ch 3 Add Input connector.
 - The cable at J3410 from the CH3 & CH4 OUT1G board to the Ch 4 Add Input connector.
6. Remove the nine screws securing the CH3 & CH4 OUT1G board to the chassis.
 7. Lift the board away from the chassis.

Installation. To install, reverse this procedure.

Troubleshooting



WARNING. *To prevent possible injury to service personnel or damage to electrical components, please read Preventing ESD. (See page 15, Preventing ESD.)*



WARNING. *Before performing this or any other procedure in this manual, read the General Safety Summary and Service Safety Summary found at the beginning of this manual.*

This section contains information and procedures designed to help you isolate faults to a module.

This section requires that service personnel have the appropriate skills to work on this instrument, including PC troubleshooting and Microsoft Windows operating system skills. Details of PC and Windows operation and service are not in this manual.

For assistance, contact your local Tektronix Service Center.

Required Equipment

You will need a digital multimeter to check voltages of the power supply, secondary power supply, and PWR board. (See page 56, *Checking the Power Supply Voltages.*) (See page 59, *Checking the Voltages on the OUTIG Board.*)

Fault Isolation Procedure

Follow the primary troubleshooting tree on the following two pages for fault isolation.

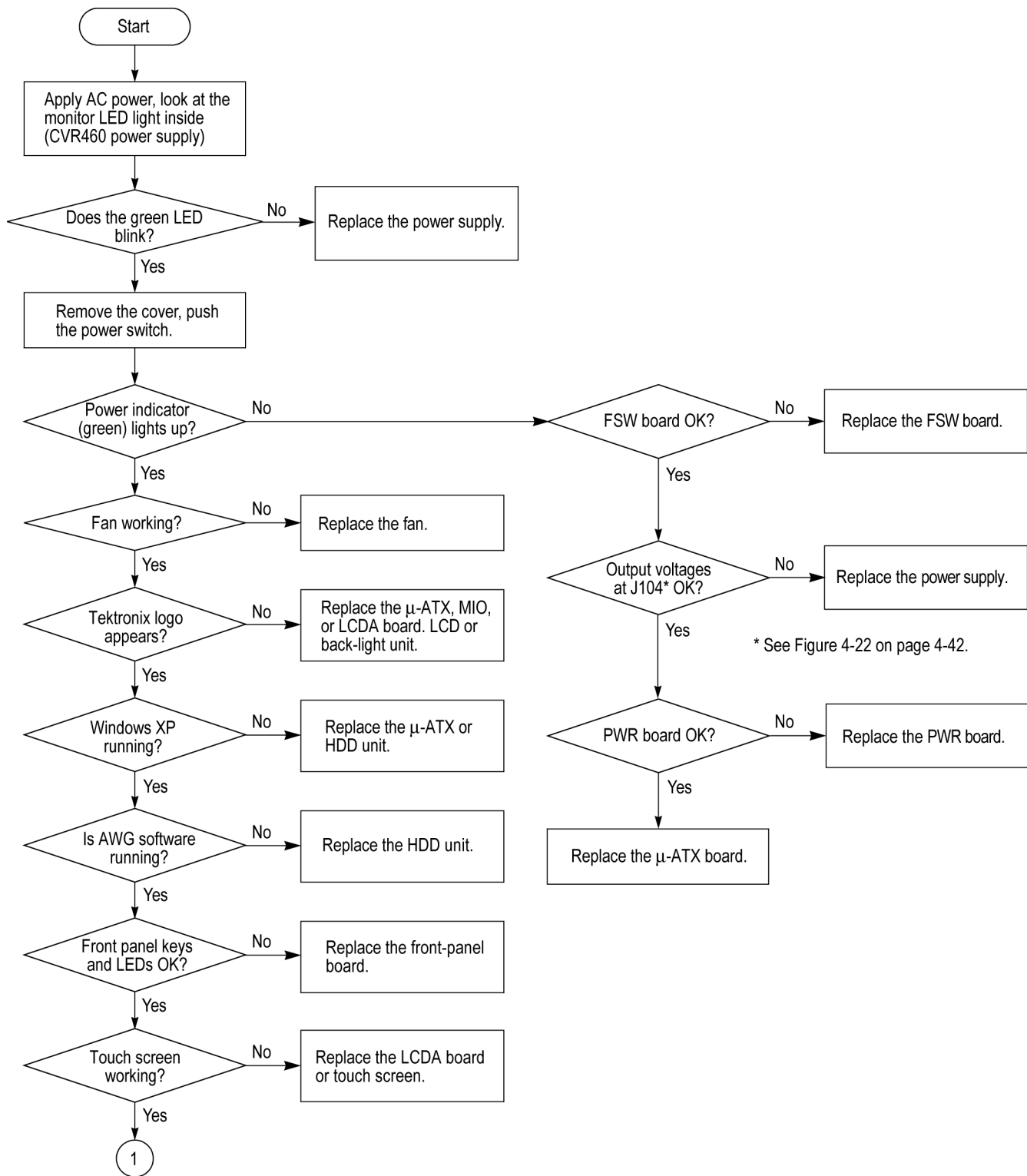


Figure 24: Primary troubleshooting tree (1)

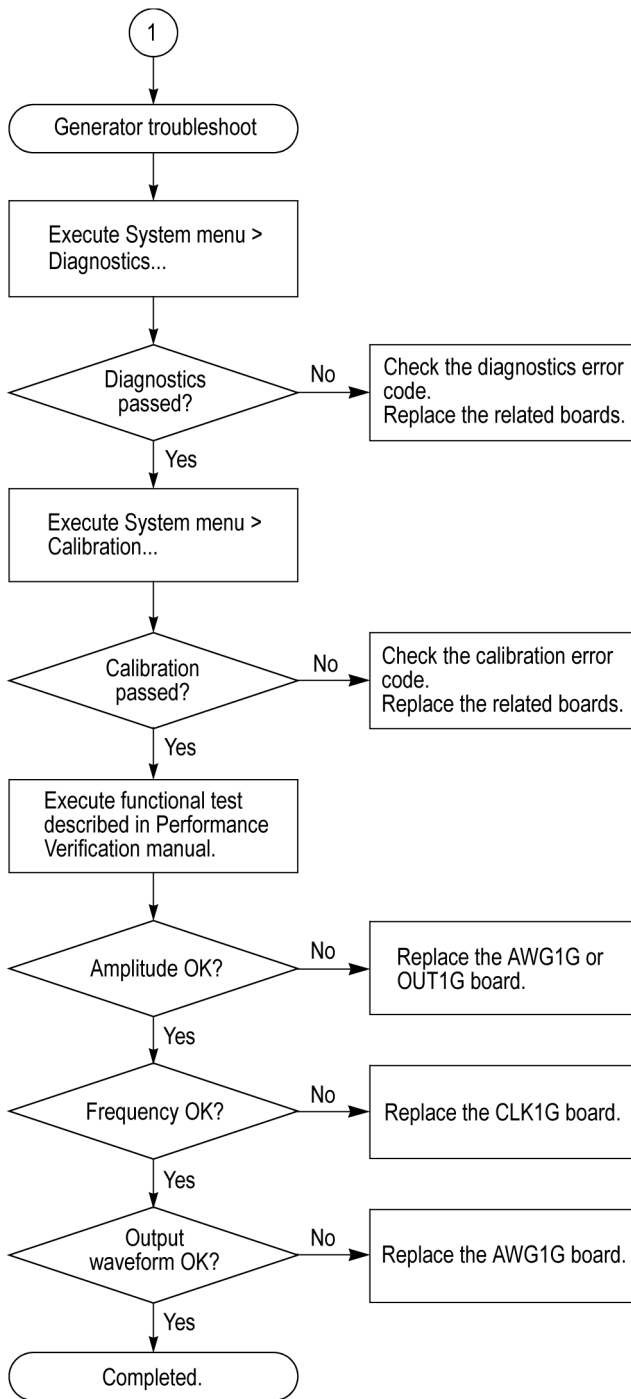


Figure 25: Primary troubleshooting tree (2)

Checking the Power Supply Voltages

To check the power supply voltages, power on the instrument and connect the (-) lead of a multi-meter to chassis ground.

To measure the output voltages of the power supply, check the voltages at J104 on the PWR board with the digital multimeter and compare each reading to the values listed in the following table. If the voltages are within the allowance, your power supply is functional.

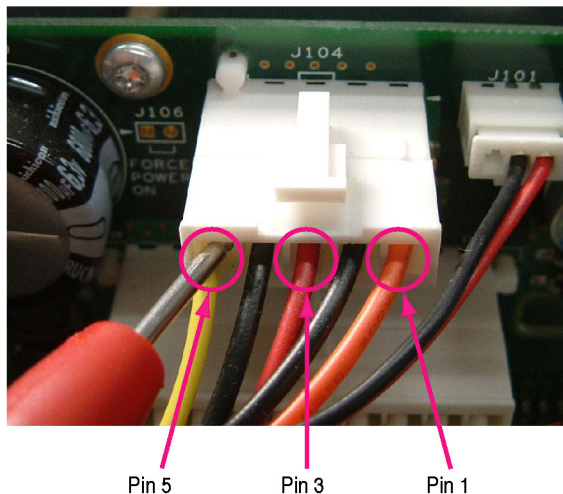


Figure 26: PWR board test points (J104)

Table 6: Test points voltage (J104)

| Test point | Voltage | Allowance |
|------------|---------|--------------------|
| Pin1 | +3.3 V | +3.1 V to +3.5 V |
| Pin 3 | +5 V | +4.7 V to +5.3 V |
| Pin 5 | +12 V | +11.4 V to +12.6 V |

Checking the Secondary Power Supply Voltages

To measure the output voltages of the secondary power supply, check the voltages at CN51 and CN61 on the power supply with the digital multimeter and compare each reading to the values listed in the following table. If the voltages are within the allowance, your power supply is functional.

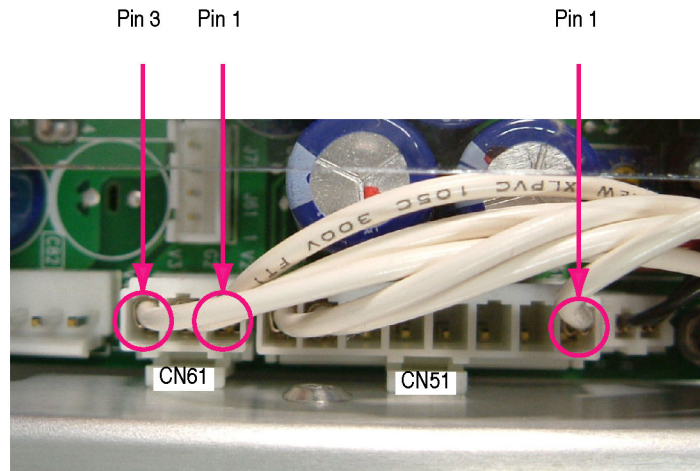


Figure 27: Secondary power supply test points (CN51 and CN61)

Table 7: Test points voltage (CN51 and CN61)

| Test point | Voltage | Allowance |
|-------------|---------|--------------------|
| CN51: Pin 1 | +5 V | +4.7 V to +5.3 V |
| CN61: Pin 1 | +15 V | +14.2 V to +15.8 V |
| CN61: Pin 3 | -15 V | -14.2 V to -15.8 V |

Checking the Voltages on the AWG1G Board

To measure the output voltages of the PWR board, check the voltages at J2000 on the AWG1G board with the digital multimeter and compare each reading to the values listed in the following table. If the voltages are within the allowance, your PWR board is functional.

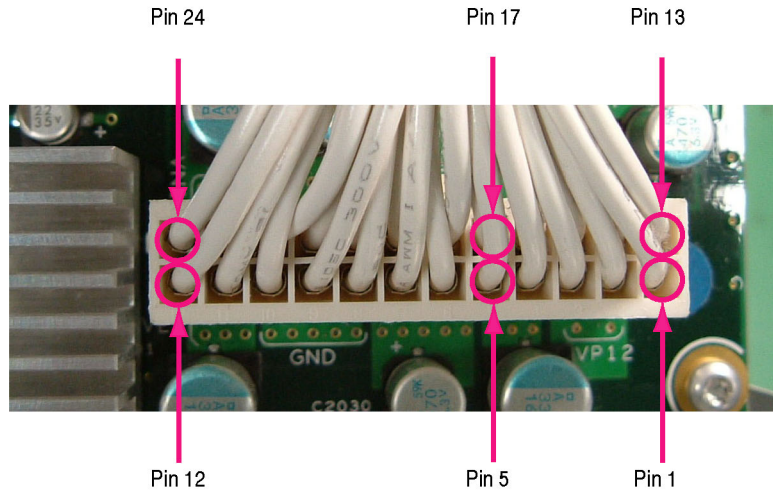


Figure 28: AWG1G board test points (J2000)

Table 8: Test points voltage (J2000)

| Test point | Voltage | Allowance |
|------------|---------|--------------------|
| Pin 1 | +12 V | +11.4 V to +12.6 V |
| Pin 5 | +3.3 V | +3.1 V to +3.5 V |
| Pin 12 | -5.5 V | -5.2 to -5.8 V |
| Pin 13 | +15 V | +14.2 V to +15.8 V |
| Pin 17 | +5 V | +4.7 V to +5.3 V |
| Pin 24 | -12 V | -11.4 to -12.6 V |

Checking the Voltages on the OUT1G Board

To measure the output voltages of the PWR board, check the voltages at J7000 (or J6000) on the OUT1G board with the digital multimeter and compare each reading to the values listed in the following table. If the voltages are within the allowance, your PWR board is functional.

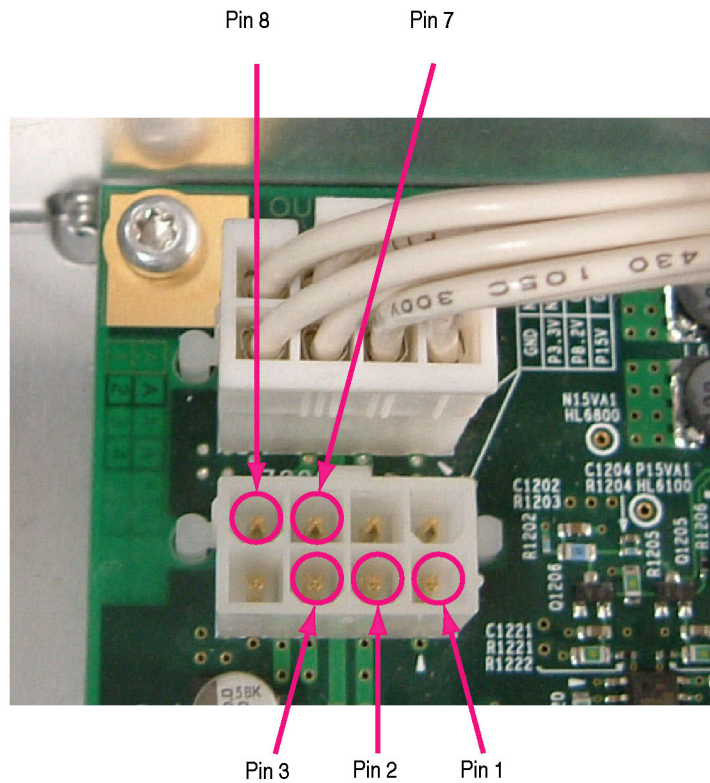


Figure 29: OUT1G board test points (J7000)

Table 9: Test points voltage (J7000 or J6000)

| Test point | Voltage | Allowance |
|------------|---------|--------------------|
| Pin 1 | +15 V | +14.2 V to +15.8 V |
| Pin 2 | +8.2 V | +7.8 V to +8.6 V |
| Pin 3 | +3.3 V | +3.1 to +3.5 V |
| Pin 7 | -8.2 V | -7.8 V to -8.6 V |
| Pin 8 | -15 V | +14.2 V to +15.8 V |

Instrument Diagnostics

The primary diagnostics for the instrument are accessible through the AWG application software. The instrument diagnostics check the basic functionality of analog outputs at every power on. The instrument diagnostics run after Windows has booted up and run its own set of system checks. If any failures occur at power on, a pop-up message indicates that a failure has occurred and provides an error code:

- Diagnostics error codes (See Table 10 on page 61.)
- Calibration error codes (See Table 11 on page 68.)
- Hardware error codes (See Table 12 on page 70.)

The power-on tests ensure that the hardware is installed and can be accessed by the software. The tests provide limited diagnostic information, and provide no performance information.

To run the instrument Diagnostics manually, do these steps:

1. Turn off all other applications.
2. From the menu bar, select **System** and then select **Diagnostics...**; the Diagnostics dialog box appears. (See Figure 30.)

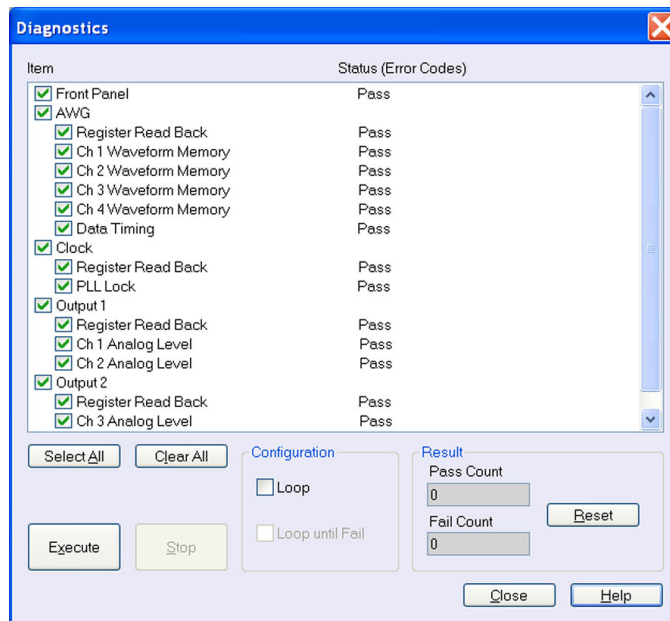


Figure 30: Diagnostics dialog box

3. In the dialog box, confirm that all the check boxes are selected. If they are not all selected, click **Select All**.
4. Click **Execute** to execute the diagnostics.

Table 10: Diagnostics error

| Error code | Error log message | Possible defect on board | Note |
|-----------------------|--|---------------------------------|------------------------------|
| AWG register readback | | | |
| 120000000 | HwDiagAwgRegister AwgController address_0x21 register diag. Fail expected data=xxxx actual data=xxxx | AWG1G | AWG1G: U1000 |
| 120000001 | HwDiagAwgRegister AwgController address_0x23 register diag. Fail expected data=xxxx actual data=xxxx | AWG1G | AWG1G: U1000 |
| 120000002 | HwDiagAwgRegister AwgController address_0x30 register diag. Fail expected data=xxxx actual data=xxxx | AWG1G | AWG1G: U1000 |
| 120000003 | HwDiagAwgRegister AwgController address_0x40 register diag. Fail expected data=xxxx actual data=xxxx | AWG1G | AWG1G: U1000 |
| 120000004 | HwDiagAwgRegister AwgController address_0x41 register diag. Fail expected data=xxxx actual data=xxxx | AWG1G | AWG1G: U1000 |
| 120000005 | HwDiagAwgRegister AwgController address_0x42 register diag. Fail expected data=xxxx actual data=xxxx | AWG1G | AWG1G: U1000 |
| 120000006 | HwDiagAwgRegister AwgController address_0x50 register diag. Fail expected data=xxxx actual data=xxxx | AWG1G | AWG1G: U1000 |
| 120000007 | HwDiagAwgRegister Ch1 MemoryController-N Communication Fail expected data=xxxx actual data=xxxx | AWG1G | AWG1G: U1000, U4000A |
| 120000008 | HwDiagAwgRegister Ch2 MemoryController-N Communication Fail expected data=xxxx actual data=xxxx | AWG1G | AWG1G: U1000, U4000B |
| 120000009 | HwDiagAwgRegister Ch1 TEK0015-TNO address_REG register diag. Fail expected data=xxxx actual data=xxxx TNO: TEK0015 number REG: Register number | AWG1G | AWG1G: U1000, U4310A, U4420A |
| 120000010 | HwDiagAwgRegister Ch2 TEK0015-TNO address_REG register diag. Fail expected data=xxxx actual data=xxxx TNO: TEK0015 number REG: Register number | AWG1G | AWG1G: U1000, U4310B, U4420B |
| 120000013 | HwDiagAwgRegister Ch1 TEK0015-TNO address_REG register diag. Fail expected data=xxxx actual data=xxxx TNO: TEK0015 number REG: Register number | AWG1G | AWG1G: U1000, U4310C, U4420C |

Table 10: Diagnostics error (cont.)

| Error code | Error log message | Possible defect on board | Note |
|----------------------|---|---------------------------------|--|
| 120000014 | HwDiagAwgRegister Ch2 TEK0015-TNO address_REG register diag. Fail expected data=xxxx actual data=xxxx TNO: TEK0015 number REG: Register number | AWG1G | AWG1G: U1000, U4310D, U4420D |
| 120000023 | HwDiagAwgRegister AD9736 failed channel=1 address=xx expected data=0xXX actual data=0xXX | AWG1G | AWG1G: U1000, U6000A |
| 120000024 | HwDiagAwgRegister AD9736 failed channel=2 address=xx expected data=0xXX actual data=0xXX | AWG1G | AWG1G: U1000, U6000B |
| 120000025 | HwDiagAwgRegister AD9736 failed channel=3 address=xx expected data=0xXX actual data=0xXX | AWG1G | AWG1G: U1000, U6000C |
| 120000026 | HwDiagAwgRegister AD9736 failed channel=4 address=xx expected data=0xXX actual data=0xXX | AWG1G | AWG1G: U1000, U6000D |
| 120000027 | HwDiagAwgRegister Ch3 MemoryController Communication Fail expected data=xxxx actual data=xxxx | AWG1G | AWG1G: U1000, U4000C |
| 120000028 | HwDiagAwgRegister Ch4 MemoryController Communication Fail expected data=xxxx actual data=xxxx | AWG1G | AWG1G: U1000, U4000D |
| CH 1 waveform memory | | | |
| 121000000 | HwDiagWaveformMemory channel1, testNo Data bus [IC-Pin] Error expected data=xxxxxxx actual data=xxxxxxx testNo: 1'st 2'nd IC: IC number Pin: Pin number | AWG1G | AWG1G: U4000A, U4500A, U4510A, U4520A, U4530A, U4600A, U4610A, U4620A, U4630A. |
| 121000001 | HwDiagWaveformMemory channel1, Address Bus=xxxxxxx [IC-Pin] Error expected data=xxxxxxx actual data=xxxxxxx IC: IC number Pin: Pin number | AWG1G | AWG1G: U4000A, U4500A, U4510A, U4520A, U4530A, U4600A, U4610A, U4620A, U4630A. |
| 121000002 | HwDiagWaveformMemory channe1, Memory Cell testNo BIT[CNT] Error testNo: 1'st or 2'nd BIT: Data bus bit CNT: data bit | AWG1G | AWG1G: U4000A, U4500A, U4510A, U4520A, U4530A, U4600A, U4610A, U4620A, U4630A. |

Table 10: Diagnostics error (cont.)

| Error code | Error log message | Possible defect on board | Note |
|-----------------------------|--|---------------------------------|--|
| CH 2 waveform memory | | | |
| 122000000 | HwDiagWaveformMemory channel2, testNo Data bus [IC-Pin] Error expected data=xxxxxxx actual data=xxxxxxx testNo: 1'st 2'nd IC: IC number Pin: Pin number | AWG1G | AWG1G: U4000B, U4500B, U4510B, U4520B, U4530B, U4600B, U4610B, U4620B, U4630B. |
| 122000001 | HwDiagWaveformMemory channel2, Address Bus=xxxxxxx [IC-Pin] Error expected data=xxxxxxx actual data=xxxxxxx IC: IC number Pin: Pin number | AWG1G | AWG1G: U4000B, U4500B, U4510B, U4520B, U4530B, U4600B, U4610B, U4620B, U4630B. |
| 122000002 | HwDiagWaveformMemory channe2, Memory Cell testNo BIT[CNT] Error testNo: 1'st or 2'nd BIT: Data bus bit CNT: data bit | AWG1G | AWG1G: U4000B, U4500B, U4510B, U4520B, U4530B, U4600B, U4610B, U4620B, U4630B. |
| CH 3 waveform memory | | | |
| 123000000 | HwDiagWaveformMemory channel3, testNo Data bus [IC-Pin] Error expected data=xxxxxxx actual data=xxxxxxx testNo: 1'st 2'nd IC: IC number Pin: Pin number | AWG1G | AWG1G: U4000C, U4500C, U4510C, U4520C, U4530C, U4600C, U4610C, U4620C, U4630C. |
| 123000001 | HwDiagWaveformMemory channel3, Address Bus=xxxxxxx [IC-Pin] Error expected data=xxxxxxx actual data=xxxxxxx IC: IC number Pin: Pin number | AWG1G | AWG1G: U4000C, U4500C, U4510C, U4520C, U4530C, U4600C, U4610C, U4620C, U4630C. |
| 123000002 | HwDiagWaveformMemory channe3, Memory Cell testNo BIT[CNT] Error testNo: 1'st or 2'nd BIT: Data bus bit CNT: data bit | AWG1G | AWG1G: U4000C, U4500C, U4510C, U4520C, U4530C, U4600C, U4610C, U4620C, U4630C. |
| CH 4 waveform memory | | | |
| 124000000 | HwDiagWaveformMemory channel4, testNo Data bus [IC-Pin] Error expected data=xxxxxxx actual data=xxxxxxx testNo: 1'st 2'nd IC: IC number Pin: Pin number | AWG1G | AWG1G: U4000D, U4500D, U4510D, U4520D, U4530D, U4600D, U4610D, U4620D, U4630D. |
| 124000001 | HwDiagWaveformMemory channel4, Address Bus=xxxxxxx [IC-Pin] Error expected data=xxxxxxx actual data=xxxxxxx IC: IC number Pin: Pin number | AWG1G | AWG1G: U4000D, U4500D, U4510D, U4520D, U4530D, U4600D, U4610D, U4620D, U4630D. |
| 124000002 | HwDiagWaveformMemory channe4, Memory Cell testNo BIT[CNT] Error testNo: 1'st or 2'nd BIT: Data bus bit CNT: data bit | AWG1G | AWG1G: U4000D, U4500D, U4510D, U4520D, U4530D, U4600D, U4610D, U4620D, U4630D. |
| Data timing margin | | | |
| 125000000 | HwDiagDataTiming channel=1, Value is out of a range max=xx min=xx | AWG1G, CLK1G | AWG1G: U1000 CLK1G: U3200 |
| 125000001 | HwDiagDataTiming channel=2, Value is out of a range max=xx min=xx | AWG1G, CLK1G | AWG1G: U1000 CLK1G: U3200 |
| 125000002 | HwDiagDataTiming channel=3, Value is out of a range max=xx min=xx | AWG1G, CLK1G | AWG1G: U1000 CLK1G: U3200 |

Table 10: Diagnostics error (cont.)

| Error code | Error log message | Possible defect on board | Note |
|-----------------------------|--|---------------------------------|--|
| 125000003 | HwDiagDataTiming channel=4, Value is out of a range max=xx min=xx | AWG1G, CLK1G | AWG1G: U1000 CLK1G: U3200 |
| Clock register read back | | | |
| 130000000 | HwDiagClockRegister PLL_MUX_HIGH=0 | AWG1G, CLK1G | AWG1G: U1000 CLK1G: U3200 |
| 130000001 | HwDiagClockRegister PLL_MUX_LOW=1 | AWG1G, CLK1G | AWG1G: U1000 CLK1G: U3200 |
| Clock PLL lock | | | |
| 131000008 | HwDiagClockPll 100MHz PLL Locked | AWG1G, CLK1G | AWG1G: U1000 CLK1G: U3200, U3220, Y3100, Y3230 |
| 131000009 | HwDiagClockPll 900MHz PLL Unlocked | AWG1G, CLK1G | AWG1G: U1000 CLK1G: U3200, U3220, Y3100, Y3230 |
| 131000010 | HwDiagClockPll 590MHz PLL Unlocked | AWG1G, CLK1G | AWG1G: U1000 CLK1G: U3200, U3220, Y3100, Y3230 |
| 131000011 | HwDiagClockPll 1210MHz PLL Unlocked | AWG1G, CLK1G | AWG1G: U1000 CLK1G: U3200, U3220, Y3100, Y3230 |
| Output 1 register read back | | | |
| 140000000 | The error occurred in the EEPROM read. 1'St=FST 2'Nd=SND FST: the data that is received from EEPROM at the first read check SND: the data that is received from EEPROM at the second read check, which is implemented after writing 0x55 to EEPROM | OUT1G | OUT1G-CH1/CH2: U5010, U5020 |
| 140000001 | Error message is changed according to the situation. | OUT1G | OUT1G-CH1/CH2: U5010, U5020 |
| Output 2 register read back | | | |
| 150000000 | The error occurred in the EEPROM read. 1'St=FST 2'Nd=SND FST: the data that is received from EEPROM at the first read check SND: the data that is received from EEPROM at the second read check, which is implemented after writing 0x55 to EEPROM | OUT1G | OUT1G-CH3/CH4: U5010, U5020 |
| 150000001 | Error message is changed according to the situation. | OUT1G | OUT1G-CH3/CH4: U5010, U5020 |
| TekLink | | | |
| 190000000 | TekLink receive error Send=TR Recv=RV TR:Transmission data RV:Receive data | MIO | MIO: U300 |

Table 10: Diagnostics error (cont.)

| Error code | Error log message | Possible defect on board | Note |
|-----------------------|---|---------------------------------|---|
| Output 1 analog level | | | |
| 141XP0031 | Analog Level Diag CHX positive (negative) 6db attenuator failed. expected 0.5005, actual xxxxx | OUT1G | OUT1G: K1100, K2100, K3100, K4100 |
| 141XP0032 | Analog Level Diag CHX positive (negative) 12db attenuator failed. expected 0.2530, actual xxxxx | OUT1G | OUT1G: K1105, K2105, K3105, K4105 |
| 141XP0033 | Analog Level Diag CHX positive (negative) 24db attenuator failed. expected 0.0631, actual xxxxx | OUT1G | OUT1G: K1110, K2110, K3110, K4110 |
| 141XP0034 | Analog Level Diag CHX positive (negative) 20mhz filter failed. expected 0.975, actual xxxxx | OUT1G | OUT1G: K1120, K1125, K2120, K2125, K3120, K3125, K4120, K4125 |
| 141XP0035 | Analog Level Diag CHX positive (negative) 100mhz filter failed. expected 0.995, actual xxxxx | OUT1G | OUT1G: K1120, K1125, K2120, K2125, K3120, K3125, K4120, K4125 |
| 141XP0036 | Analog Level Diag CHX positive (negative) amp failed. expected 8.95, actual xxxxx | OUT1G | OUT1G: U1140, U1145, U1160A/B, U2140, U2145, U2160A/B, U3140, U3145, U3160A/B, U4140, U4145, U4160A/B |
| 141XP0037 | Analog Level Diag CHX positive (negative) output offset failed. expected 2.0V, actual xxxxxV | OUT1G | OUT1G: U1200, U1220, Q1218, Q1228, U2200, U2220, Q2218, Q2228, U3200, U3220, Q3218, Q3228, U4200, U4220, Q4218, Q4228 |
| 141XP0038 | Analog Level Diag CHX positive (negative) output offset failed. expected 0.0V, actual xxxxxV | OUT1G | OUT1G: U1200, U1220, Q1218, Q1228, U2200, U2220, Q2218, Q2228, U3200, U3220, Q3218, Q3228, U4200, U4220, Q4218, Q4228 |
| 141XP0040 | Analog Level Diag CHX positive (negative) D/A internal offset1 failed. Expected 0.0mV, actual xxxxxmV | AWG1G | AWG1G: U6000, U6025, U6035 [A-B] |
| 141XP0041 | Analog Level Diag CHX positive (negative) D/A internal offset2 failed. Expected 0.0mV, actual xxxxxmV | AWG1G | AWG1G: U6000, U6025, U6035 [A-B] |
| 141XP0042 | Analog Level Diag CHX positive (negative) read D/A gain11 failed. Expected 0.300V, actual xxxxxV | AWG1G, OUT1G | AWG1G: U6000, U6015 [A-B], J6020 [A-B], J6030 [A-B] OUT1G: J1000, J2000, J3000, J4000 |
| 141XP0043 | Analog Level Diag CHX positive (negative) read D/A gain21 failed. Expected 0.150V, actual xxxxxV | AWG1G | AWG1G: U6000, U6015 [A-B] |
| 141XP0052 | Analog Level Diag CHX 6db att gain balance failed. | OUT1G | OUT1G: K1100, K2100, K3100, K4100 |
| 141XP0053 | Analog Level Diag CHX 12db att gain balance failed. | OUT1G | OUT1G: K1105, K2105, K3105, K4105 |
| 141XP0054 | Analog Level Diag CHX 24db att gain balance failed. | OUT1G | OUT1G: K1110, K2110, K3110, K4110 |

Table 10: Diagnostics error (cont.)

| Error code | Error log message | Possible defect on board | Note |
|------------------------------|---|---------------------------------|---|
| 141XP0055 | Analog Level Diag CHX 20mhz filter gain balance failed. | OUT1G | OUT1G: K1120, K1125, K2120, K2125, K3120, K3125, K4120, K4125 |
| 141XP0056 | Analog Level Diag CHX 100mhz filter gain balance failed. | OUT1G | OUT1G: K1120, K1125, K2120, K2125, K3120, K3125, K4120, K4125 |
| 141XP0057 | Analog Level Diag CHX amp gain balance failed. | OUT1G | OUT1G: U1140, U1145, U1160A/B, U2140, U2145, U2160A/B, U3140, U3145, U3160A/B, U4140, U4145, U4160A/B |
| 141XP0058 | Analog Level Diag CHX A/D converter read failed. | OUT1G | OUT1G: U5010, U5100, U5112, U5114 |
| Output 2 analog level | | | |
| 151XP0031 | Analog Level Diag CHX positive (negative) 6db attenuator failed. Expected 0.5005, actual xxxxx | OUT1G | OUT1G: K1100, K2100, K3100, K4100 |
| 151XP0032 | Analog Level Diag CHX positive (negative) 12db attenuator failed. Expected 0.2530, actual xxxxx | OUT1G | OUT1G: K1105, K2105, K3105, K4105 |
| 151XP0033 | Analog Level Diag CHX positive (negative) 24db attenuator failed. Expected 0.0631, actual xxxxx | OUT1G | OUT1G: K1110, K2110, K3110, K4110 |
| 151XP0034 | Analog Level Diag CHX positive (negative) 20mhz filter failed. Expected 0.975, actual xxxxx | OUT1G | OUT1G: K1120, K1125, K2120, K2125, K3120, K3125, K4120, K4125 |
| 151XP0035 | Analog Level Diag CHX positive (negative) 100mhz filter failed. Expected 0.995, actual xxxxx | OUT1G | OUT1G: K1120, K1125, K2120, K2125, K3120, K3125, K4120, K4125 |
| 151XP0036 | Analog Level Diag CHX positive (negative) amp failed. Expected 8.95, actual xxxxx | OUT1G | OUT1G: U1140, U1145, U1160A/B, U2140, U2145, U2160A/B, U3140, U3145, U3160A/B, U4140, U4145, U4160A/B |
| 151XP0037 | Analog Level Diag CHX positive (negative) output offset failed. Expected 2.0V, actual xxxxxV | OUT1G | OUT1G: U1200, U1220, Q1218, Q1228, U2200, U2220, Q2218, Q2228, U3200, U3220, Q3218, Q3228, U4200, U4220, Q4218, Q4228 |
| 151XP0038 | Analog Level Diag CHX positive (negative) output offset failed. Expected 0.0V, actual xxxxxV | OUT1G | OUT1G: U1200, U1220, Q1218, Q1228, U2200, U2220, Q2218, Q2228, U3200, U3220, Q3218, Q3228, U4200, U4220, Q4218, Q4228 |
| 151XP0040 | Analog Level Diag CHX positive (negative) D/A internal offset1 failed. Expected 0.0mV, actual xxxxxmV | AWG1G | AWG1G: U6000, U6025, U6035 [C-D] |
| 151XP0041 | Analog Level Diag CHX positive (negative) D/A internal offset2 failed. Expected 0.0mV, actual xxxxxmV | AWG1G | AWG1G: U6000, U6025, U6035 [C-D] |
| 151XP0042 | Analog Level Diag CHX positive (negative) read D/A gain11 failed. Expected 0.300V, actual xxxxxV | AWG1G, OUT1G | AWG1G: U6000, U6015 [C-D], J6020 [C-D], J6030 [C-D] OUT1G: J1000, J2000, J3000, J4000 |

Table 10: Diagnostics error (cont.)

| Error code | Error log message | Possible defect on board | Note |
|------------|--|--------------------------|---|
| 151XP0043 | Analog Level Diag CHX positive (negative) read D/A gain21 failed. Expected 0.150V, actual xxxxxV | AWG1G | AWG1G: U6000, U6015 [C-D] |
| 151XP0052 | Analog Level Diag CHX 6db att gain balance failed. | OUT1G | OUT1G: K1100, K2100, K3100, K4100 |
| 151XP0053 | Analog Level Diag CHX 12db att gain balance failed. | OUT1G | OUT1G: K1105, K2105, K3105, K4105 |
| 151XP0054 | Analog Level Diag CHX 24db att gain balance failed. | OUT1G | OUT1G: K1110, K2110, K3110, K4110 |
| 151XP0055 | Analog Level Diag CHX 20mhz filter gain balance failed. | OUT1G | OUT1G: K1120, K1125, K2120, K2125, K3120, K3125, K4120, K4125 |
| 151XP0056 | Analog Level Diag CHX 100mhz filter gain balance failed. | OUT1G | OUT1G: K1120, K1125, K2120, K2125, K3120, K3125, K4120, K4125 |
| 151XP0057 | Analog Level Diag CHX amp gain balance failed. | OUT1G | OUT1G: U1140, U1145, U1160A/B, U2140, U2145, U2160A/B, U3140, U3145, U3160A/B, U4140, U4145, U4160A/B |
| 151XP0058 | Analog Level Diag CHX A/D converter read failed. | OUT1G | OUT1G: U5010, U5100, U5112, U5114 |

Calibration Error

To run the instrument calibration, do these steps:

1. Turn off all other applications.
2. From the menu bar, select **System** and then select **Calibration...**; the Calibration dialog box appears. (See Figure 31.)

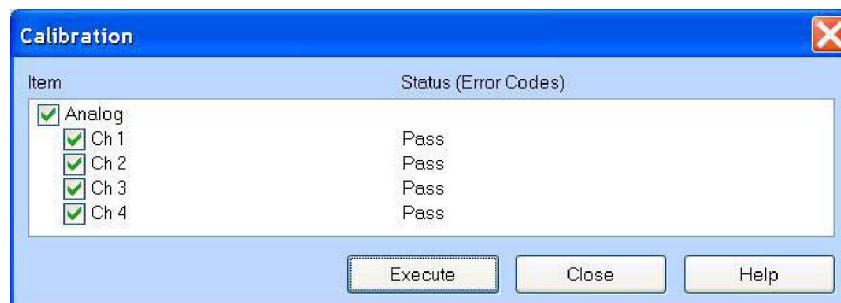


Figure 31: Calibration dialog box

3. Click **Execute** to execute the calibration.

Table 11: Calibration error

| Error code | Error log message | Possible defect on board | Note |
|-------------------|---|---------------------------------|---|
| 200XP0031 | Analog Level Calibration CHX positive (negative) 6db attenuator failed. Expected:0.5005, actual:xxxx | OUT1G | OUT1G: K1100, K2100, K3100, K4100 |
| 200XP0032 | Analog Level Calibration CHX positive (negative) 12db attenuator failed. Expected:0.2530, actual:xxxx | OUT1G | OUT1G: K1105, K2105, K3105, K4105 |
| 200XP0033 | Analog Level Calibration CHX positive (negative) 24db attenuator failed. Expected:0.0631, actual:xxxx | OUT1G | OUT1G: K1110, K2110, K3110, K4110 |
| 200XP0034 | Analog Level Calibration CHX positive (negative) 20mhz filter failed. Expected:0.975, actual:xxxx | OUT1G | OUT1G: K1120, K1125, K2120, K2125, K3120, K3125, K4120, K4125 |
| 200XP0035 | Analog Level Calibration CHX positive (negative) 100mhz filter failed. Expected:0.995, actual:xxxx | OUT1G | OUT1G: K1120,, K1125, K2120, K2125, K3120, K3125, K4120, K4125 |
| 200XP0036 | Analog Level Calibration CHX positive (negative) amplitude amp failed. Expected:8.95, actual:x | OUT1G | OUT1G: U1140, U1145, U1160A/B, U2140, U2145, U2160A/B, U3140, U3145, U3160A/B, U4140, U4145, U4160A/B |
| 200XP0037 | Analog Level Calibration CHX positive (negative) output offset 0V failed. Expected:0.0V, actual:xxxV | OUT1G | OUT1G: U1200, U1220, Q1218, Q1228, U2200, U2220, Q2218, Q2228, U3200, U3220, Q3218, Q3228, U4200, U4220, Q4218, Q4228 |
| 200XP0038 | Analog Level Calibration CHX positive (negative) output offset 2.0V failed. Expected:2.0V, actual:xxxV | OUT1G | OUT1G: U1200, U1220, Q1218, Q1228, U2200, U2220, Q2218, Q2228, U3200, U3220, Q3218, Q3228, U4200, U4220, Q4218, Q4228 |
| 200XP0039 | Analog Level Calibration CHX positive (negative) D/A internal offset0 failed. FSC=900(FSC=260) expected:0.0mV, actual:xxxmV | AWG1G, OUT1G | AWG1G: U6000, U6025, U6035, J6020 [A-D], J6030 [A-D] OUT1G: J1000, J2000, J3000, J4000 |
| 200XP0040 | Analog Level Calibration CHX positive (negative) D/A internal offset1 failed. FSC=900(FSC=260) expected:0.0mV, actual:xxxmV | AWG1G | AWG1G: U6000, U6025, U6035 |
| 200XP0041 | Analog Level Calibration CHX positive (negative) D/A internal offset2 failed. FSC=900(FSC=260) expected:0.0mV, actual:xxxmV | AWG1G | AWG1G: U6000, U6025, U6035 |
| 200XP0042 | Analog Level Calibration CHX positive (negative) read D/A gain1 failed. Expected:0.300V, actual:xxxV | AWG1G, OUT1G | AWG1G: U6000, U6015, J6020 [A-D], J6030 [A-D] OUT1G: J1000, J2000, J3000, J4000 |
| 200XP0043 | Analog Level Calibration CHX positive (negative) read D/A gain2 failed. Expected:0.150V, actual:xxxV | AWG1G | AWG1G: U6000, U6015 |
| 200X00044 | Analog Level Calibration CHX D/A gain balance1 failed. | AWG1G | AWG1G: U6000 |

Table 11: Calibration error (cont.)

| Error code | Error log message | Possible defect on board | Note |
|-------------------|---|---------------------------------|---|
| 200X00045 | Analog Level Calibration CHX D/A gain balance2 failed. | AWG1G | AWG1G: U6000 |
| 200X00046 | Analog Level Calibration CHX D/A gain balance3 failed. | AWG1G | AWG1G: U6000 |
| 200X00047 | Analog Level Calibration CHX D/A gain balance4 failed. | AWG1G | AWG1G: U6000 |
| 200X00048 | Analog Level Calibration CHX D/A gain balance5 failed. | AWG1G | AWG1G: U6000, U6025, U6035 |
| 200X00049 | Analog Level Calibration CHX D/A gain balance6 failed. | AWG1G | AWG1G: U6000, U6025, U6035 |
| 200X00050 | Analog Level Calibration CHX D/A gain balance7 failed. | AWG1G | AWG1G: U6000 |
| 200X00051 | Analog Level Calibration CHX D/A gain balance8 failed. | AWG1G | AWG1G: U6000 |
| 200X00052 | Analog Level Calibration CHX 6db attenuator gain balance failed. | OUT1G | OUT1G: K1100, K2100, K3100, K4100 |
| 200X00053 | Analog Level Calibration CHX 12db attenuator gain balance failed. | OUT1G | OUT1G: K1105, K2105, K3105, K4105 |
| 200X00054 | Analog Level Calibration CHX 24db attenuator gain balance failed. | OUT1G | OUT1G: K1100, K2100, K3100, K4100 |
| 200X00055 | Analog Level Calibration CHX filter 20mhz gain balance failed. | OUT1G | OUT1G: K1120, K1125, K2120, K2125, K3120, K3125, K4120, K4125 |
| 200X00056 | Analog Level Calibration CHX filter 100mhz gain balance failed. | OUT1G | OUT1G: K1120, K1125, K2120, K2125, K3120, K3125, K4120, K4125 |
| 200X00057 | Analog Level Calibration CHX amp gain balance failed. | OUT1G | OUT1G: U1140, U1145, U1160A/B, U2140, U2145, U2160A/B, U3140, U3145, U3160A/B, U4140, U4145, U4160A/B |

Hardware Error

The following table lists the instrument hardware related errors.

Table 12: Hardware error

| Error code | Error log message | Possible defect on board | Note |
|------------|--|--------------------------|---|
| 300000000 | The system cannot find the device specified. | MIO | MIO: U100, U200, U220, Y230 |
| 300000001 | The device is not ready. | N/A | Software |
| 300000002 | The AWG register access timeout period has expired. | | MIO: U200, U300 AWG1G: U1000 MIO-AWG1G Cable |
| 300000003 | The time-out was generated while measuring data. | AWG1G | AWG1G: U1000 |
| 300000004 | The timer for the trigger has stopped. | AWG1G | AWG1G: U1000 |
| 300000005 | PLL doesn't lock. | AWG1G, CLK1G | AWG1G: U1000 CLK1G: U3200, U3220, Y3230 |
| 300000006 | AwgController DLL doesn't lock. | AWG1G, CLK1G | AWG1G: U1000, J3010 CLK1G: J3230 |
| 300000007 | Output board access error Board=No No: Board number (Start with 0) | OUT1G | OUT1G: U5010 |
| 300000008 | Not enough storage is available to process. | N/A | Software |
| 300000009 | Calibration checksum data has an error. | MIO | MIO: U300, U390 |
| 300000010 | Calibration version unmatched. | MIO | MIO: U300, U390 |
| 300000012 | The lpc busy timeout period has expired. | AWG1G | AWG1G: U1000 |
| 300000013 | MemoryController DLL doesn't lock. | AWG1G | AWG1G: U1000, U4000x |
| 300000021 | Read Error on Event Input Register. | AWG1G | AWG1G: U1000 |
| 300000022 | Read Error on Trigger Input Register. | AWG1G | AWG1G: U1000 |
| 300000023 | Read Error on Trigger Timer Register. | AWG1G | AWG1G: U1000 |
| 300000050 | The phase adjustment of TEK0015 and AD9736 failed in channel 1. | AWG1G, CLK1G | AWG1G: U1000, U6000A, J3010 CLK1G: J3230 |
| 300000051 | The phase adjustment of TEK0015 and AD9736 failed in channel 2. | AWG1G | AWG1G: U1000, U6000B |
| 300000052 | The phase adjustment of TEK0015 and AD9736 failed in channel 3. | AWG1G | AWG1G: U1000, U6000C |
| 300000053 | The phase adjustment of TEK0015 and AD9736 failed in channel 4. | AWG1G | AWG1G: U1000, U6000D |
| 300000054 | The AD9736 FIFO adjustment failed in channel 1. | AWG1G | AWG1G: U1000, U6000A |
| 300000055 | The AD9736 FIFO adjustment failed in channel 2. | AWG1G | AWG1G: U1000, U6000B |
| 300000056 | The AD9736 FIFO adjustment failed in channel 3. | AWG1G | AWG1G: U1000, U6000C |

Table 12: Hardware error (cont.)

| Error code | Error log message | Possible defect on board | Note |
|-------------------|---|---------------------------------|---|
| 300000057 | The AD9736 FIFO adjustment failed in channel 4. | AWG1G | AWG1G: U1000, U6000D |
| 300000058 | The phase adjustment of two TEK0015 failed in channel 1. | AWG1G | AWG1G: U1000, U4310A, U4420A |
| 300000059 | The phase adjustment of two TEK0015 failed in channel 2. | AWG1G | AWG1G: U1000, U4310B, U4420B |
| 300000060 | The phase adjustment of two TEK0015 failed in channel 3. | AWG1G | AWG1G: U1000, U4310C, U4420C |
| 300000061 | The phase adjustment of two TEK0015 failed in channel 4. | AWG1G | AWG1G: U1000, U4310D, U4420D |
| 300000062 | The phase adjustment between channel 1 and channel 2 failed. | AWG1G | AWG1G: U4720, U4740, U4750, U4440, U7504, U7500, U7510, U7600, U7602, U1040 |
| 300000063 | The phase adjustment between channel 1 and channel 3 failed. | AWG1G | AWG1G: U4720, U4740, U4750, U4440, U7504, U7500, U7510, U7600, U7602, U1040 |
| 300000064 | The phase adjustment between channel 1 and channel 4 failed. | AWG1G | AWG1G: U4720, U4740, U4750, U4440, U7504, U7500, U7510, U7600, U7602, U1040 |
| 300000100 | Access to EEPROM failed on MIO board. | MIO | MIO: U300, U390 |
| 300000101 | Access to EEPROM failed on OUTPUT board. | OUT1G | OUT1G: U5010, U5100 |
| 300000102 | The relay count is invalid. Board-1 | OUT1G | OUT1G: U5010, U5100 |
| 300000103 | The relay count is invalid. Board-2 | OUT1G | OUT1G: U5010, U5100 |
| 300000200 | The download (MIO-INIT) timeout period has expired. | MIO | MIO: U200, U300 |
| 300000201 | The download (MIO-INIT) timeout period has expired. | MIO | MIO: U200, U300 |
| 300000202 | The download (MIO-DONE) timeout period has expired. | MIO | MIO: U200, U300 |
| 300000203 | The download (MIO) timeout period has expired. | MIO | MIO: U200, U300 |
| 300000204 | The system cannot find the file specified. (PLD140b.Bit) | N/A | Software |
| 300000205 | An attempt was made to load a program with an incorrect format. (PLD140b.Bit) | N/A | Software |
| 300000206 | The download (AwgController-INIT) timeout period has expired. | MIO, AWG1G | MIO: U300, AWG1G: U1000, MIO-AWG1G cable |
| 300000207 | The download (AwgController-INIT) timeout period has expired. | MIO, AWG1G | MIO: U300, AWG1G: U1000 |
| 300000208 | The download (AwgController-DONE) timeout period has expired. | MIO, AWG1G | MIO: U300, AWG1G: U1000, MIO-AWG1G cable |

Table 12: Hardware error (cont.)

| Error code | Error log message | Possible defect on board | Note |
|-------------------|---|---------------------------------|--|
| 300000209 | The download (AwgController) timeout period has expired. | MIO, AWG1G | MIO: U300, AWG1G: U1000, MIO-AWG1G cable |
| 300000210 | The system cannot find the file specified. (PLD121B.Bit) | N/A | Software/disk drive |
| 300000211 | An attempt was made to load a program with an incorrect format. (PLD121B.Bit) | N/A | Software/disk drive |
| 300000212 | The download (MemoryController-INIT) timeout period has expired. | MIO, AWG1G | MIO: U300, AWG1G: U1000, U4000x Product configuration (number of channels) is wrong. |
| 300000213 | The download (MemoryController-INIT) timeout period has expired. | MIO, AWG1G | MIO: U300, AWG1G: U1000, U4000x Product configuration (number of channels) is wrong. |
| 300000214 | The download (MemoryController-DONE) timeout period has expired. | MIO, AWG1G | MIO: U300, AWG1G: U1000, U4000x Product configuration (number of channels) is wrong. |
| 300000215 | The download (MemoryController) timeout period has expired. | MIO, AWG1G | MIO: U300, AWG1G: U1000, U4000x Product configuration (number of channels) is wrong. |
| 300000216 | The system cannot find the file specified. (PLD120B.Bit) | N/A | Software/disk drive |
| 300000217 | An attempt was made to load a program with an incorrect format. (PLD120B.Bit) | N/A | Software/disk drive |
| 300000218 | The DCM timeout period has expired. | MIO | MIO: U300 |
| 300000219 | The LOCKED timeout period has expired. | MIO | MIO: U300 |
| 300000220 | A PLD121B.bit is old version. | N/A | Software/disk drive |
| 300000221 | A PLD120B.bit is old version. | N/A | Software/disk drive |
| 310000000 | The parameter is incorrect. | N/A | Software/disk drive |
| 390000001 | The calibration data is invalid. The default value is used. | N/A | This is not a defect. |
| 390000002 | The instrument started with Manufacturing mode. | N/A | This is not a defect. |
| 390000003 | The calibration data is invalid. The default value is used. | N/A | This is not a defect. |

After Repair

After you replace a module, follow the instructions about adjustment and performance verification. This is essential to ensure proper instrument performance. (See page 9, *Adjustment After Repair*.)

Returning the Instrument for Service

When repacking the instrument for shipment, use the original packaging material. If it is unavailable or unfit for use, contact your local Tektronix representative to obtain new packaging.

Seal the shipping carton with an industrial stapler or strapping tape.

Before returning the instrument for service, contact the Service Center to get an RMA (return material authorization) number, and any return or shipping information you may need.

If the instrument is being shipped to a Tektronix Service Center, enclose the following information:

- The RMA number.
- The owner's address.
- Name and phone number of a contact person.
- Type and serial number of the instrument.
- Reason for returning.
- A complete description of the required service.

Mark the address of the Tektronix Service Center and the return address on the shipping carton in two prominent locations. See www.tektronix.com/service to find a Tektronix Service Center near you.

Replaceable Parts

This section contains a list of the replaceable modules for the AWG5000B Series Arbitrary Waveform Generators. Use this list to identify and order replacement parts.

Parts Ordering Information

Replacement parts are available through your local Tektronix field office or representative.

Changes to Tektronix instruments are sometimes made to accommodate improved components as they become available and to give you the benefit of the latest circuit improvements. Therefore, when ordering parts, it is important to include the following information in your order.

- Part number
- Instrument type or model number
- Instrument serial number
- Instrument modification number, if applicable

If you order a part that has been replaced with a different or improved part, your local Tektronix field office or representative will contact you concerning any change in part number.

Part Number Revision Level

Tektronix part numbers contain two digits that show the revision level of the part. For most parts in this manual, you will find the letters XX in place of the revision level number.



When you order parts, Tektronix will provide you with the most current part for your product type, serial number, and modification (if applicable). At the time of your order, Tektronix will determine the part number revision level needed for your product, based on the information you provide.

Module Servicing Modules can be serviced by selecting one of the following three options. Contact your local Tektronix service center or representative for repair assistance.

Module Exchange. In some cases, you may exchange your module for a remanufactured module. These modules cost significantly less than new modules and meet the same factory specifications. For more information about the module exchange program, call 1-800-833-9200. Outside North America, contact a Tektronix sales office or distributor; see the Tektronix Web site (www.tektronix.com) for a list of offices.

Module Repair and Return. You may ship your module to us for repair, after which we will return it to you.

New Modules. You may purchase replacement modules in the same way as other replacement parts.

Using the Replaceable Parts List

This section contains a list of the replaceable mechanical and/or electrical components. Use this list to identify and order replacement parts. The following table describes each column in the parts list.

Parts list column descriptions

| Column | Column name | Description |
|---------|-----------------------|--|
| 1 | Figure & Index Number | Items in this section are referenced by component number. |
| 2 | Tektronix Part Number | Use this part number when ordering replacement parts from Tektronix. |
| 3 and 4 | Serial Number | Column three indicates the serial number at which the part was first effective. Column four indicates the serial number at which the part was discontinued. No entries indicates the part is good for all serial numbers. |
| 5 | Qty | This indicates the quantity of parts used. |
| 6 | Name & Description | An item name is separated from the description by a colon (:). Because of space limitations, an item name may sometimes appear as incomplete. Use the U.S. Federal Catalog handbook H6-1 for further item name identification. |

Abbreviations Abbreviations conform to American National Standard ANSI Y1.1-1972.

Replaceable parts list

| Fig. & index number | Tektronix part number | Serial no. effective | Serial no. discont'd | Qty | Name & description |
|---------------------|-----------------------|----------------------|----------------------|-----|---|
| 32- | | | | | COSMETICS |
| -1 | 335-1966-00 | | | 1 | MARKER,IDENT; LABEL,IDENTIFICATION;AWG5002B,SAFETY CONTROLLED |
| | 335-1967-00 | | | 1 | MARKER,IDENT; LABEL,IDENTIFICATION;AWG5004B,SAFETY CONTROLLED |
| | 335-1968-00 | | | 1 | MARKER,IDENT; LABEL,IDENTIFICATION;AWG5012B,SAFETY CONTROLLED |
| | 335-1969-00 | | | 1 | MARKER,IDENT; LABEL,IDENTIFICATION;AWG5014B,SAFETY CONTROLLED |
| -2 | 101-0176-01 | | | 1 | TRIM,RING;FRONT;SAFETY CONTROLLED |
| -3 | 101-0178-01 | | | 1 | TRIM,ACQUISITION INSERT,BNC CONNECTOR |
| -4 | 101-0174-00 | | | 1 | TRIM,DVD |
| -5 | 260-2837-00 | | | 1 | KEYPAD; FOR POWER BUTTON TOP,CLEAR,SILICONE RUBBER W/CONDUCTIVE SILICONE RUBBER TIP,SNAP ACTION,TRAVEL 0.045 IN,200 GRAM,HYSTERESIS GT 35%,W TOP COAT |
| -6 | 211-1050-00 | | | 4 | SCREW,MACHINE; 6-32 X 0.312 L,PNH,STL CAD PLT,T15 |
| -7 | 200-4994-00 | | | 1 | COVER, COSMETIC, TOP |
| -8 | 211-1050-00 | | | 4 | SCREW,MACHINE; 6-32 X 0.312 L,PNH,STL CAD PLT,T15 |
| -9 | 355-0298-00 | | | 4 | STUD.SNAP; 0.570 DIA,0.165 THK,STAINLESS STEEL |
| -10 | 211-0691-00 | | | 4 | SCR,ASSEM WSHR; 6-32 X 0.75,PNH,STL,CD PL,TORX T15 |
| -11 | 348-1861-00 | | | 4 | FOOT; REAR, ASSY. W/ CORD WRAP, THERMOPLASTIC,SRY |
| -12 | 407-4887-00 | | | 1 | BRACKET;HANDLE BASE,PC/ABS ALLOY,BAYER BAYBLEND FR-110, TEK BLUE, SAFETY CONTROLLED |
| -13 | 212-0232-00 | | | 2 | SCREW,MACHINE; 8-32 X 1.125L,PNH,STL,BLACK ZINK SPEC #ASTM B633 TYPE II, T-20,TORX DRIVE |
| -14 | 367-0528-00 | | | 1 | HANDLE, CARRYING;DUAL DUROMETER MOLDED, POLYPROPYLENE,VINYL GRIP SECTION,SAFETY CONTROLLED |
| -15 | 348-1515-00 | | | 2 | FEET,CABINET; BLACK,SET OF 4 FEET |
| -16 | 200-4995-01 | | | 1 | COVER, COSMETIC, BOTTOM |
| -17 | 211-1050-00 | | | 3 | SCREW,MACHINE; 6-32 X 0.312 L,PNH,STL CAD PLT,T15 |
| -18 | 335-1576-00 | | | 1 | MARKER, IDENTIFICATION, FRONT PANEL, 4 CHANNEL, SAFETY CONTROLLED |
| -19 | 335-1579-00 | | | 1 | MARKER, IDENTIFICATION, SIGNAL INPUT/OUTPUT, BNC, 4 CHANNEL, SAFETY CONTROLLED |
| | 335-1580-00 | | | 1 | MARKER, IDENTIFICATION, SIGNAL INPUT/OUTPUT, BNC, 2 CHANNEL, SAFETY CONTROLLED |
| -20 | 366-0841-00 | | | 1 | KNOB, CAP; 1.380 DIA, PC/ABS, SILVER GRAY |

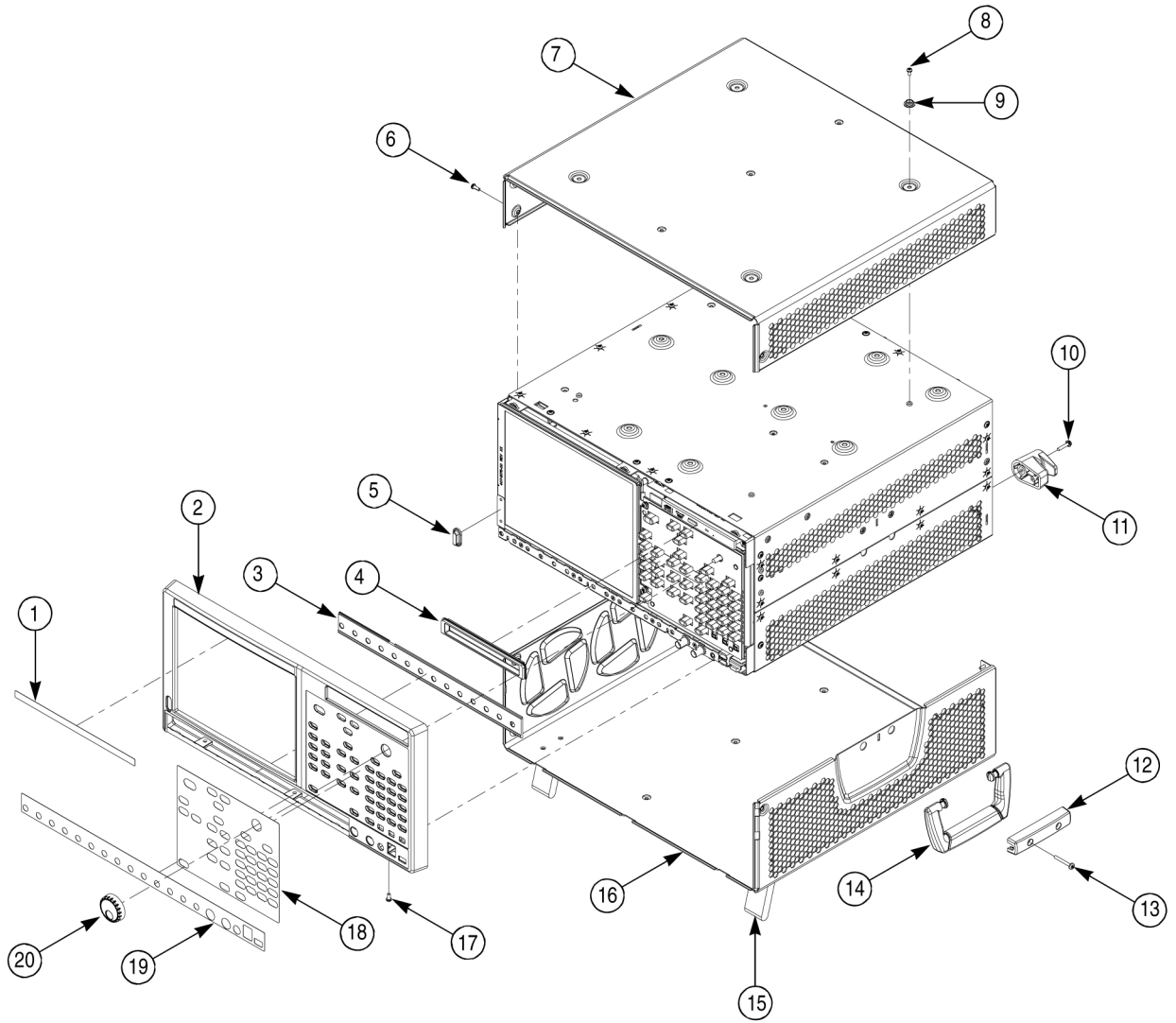


Figure 32: Exploded diagram - Cosmetics

Replaceable parts list

| Fig. & index number | Tektronix part number | Serial no. effective | Serial no. dis-cont'd | Qty | Name & description |
|---------------------|-----------------------|----------------------|-----------------------|-----|---|
| 33- | | | | | EMI COVERS |
| -1 | 200-4992-01 | | | 1 | COVER, EMI, TOP |
| -2 | 200-5034-01 | | | 1 | COVER, EMI, BOTTOM |
| -3 | 211-1050-00 | | | 26 | SCREW,MACHINE; 6-32 X 0.312 L,PNH,STL CAD PLT,T15 |

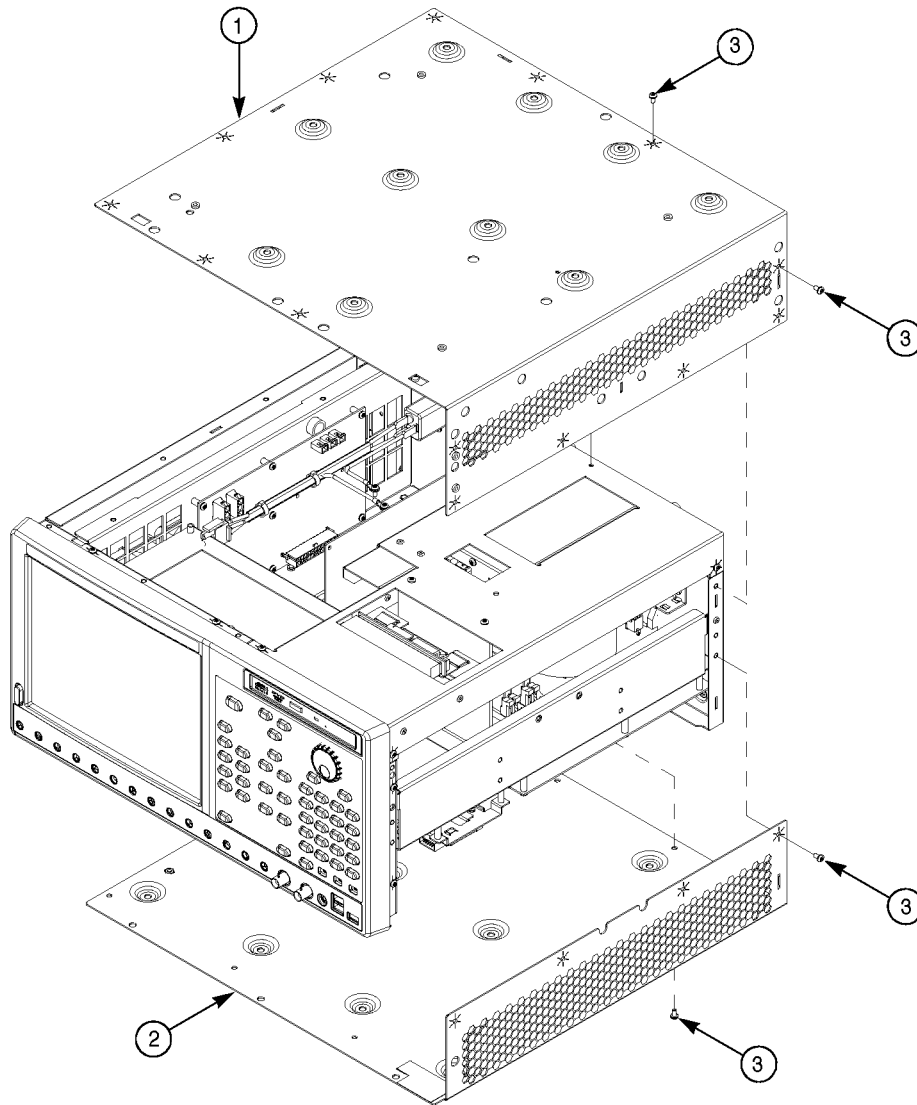


Figure 33: Exploded diagram - EMI Covers

Replaceable parts list

| Fig. & index number | Tektronix part number | Serial no. effective | Serial no. dis-cont'd | Qty | Name & description |
|---------------------|-----------------------|----------------------|-----------------------|-----|---|
| 34- | | | | | CHASSIS ASSEMBLY |
| -1 | 131-6417-00 | | | 1 | CONTACT,ELEC; GROUNDING,0.600 L X 0.250 W X 0.220 D, ELECTROLESS NICKEL PLATE |
| -2 | 348-0966-00 | | | 1 | GROMMET,PLASTIC;BLACK,ROUND,0.625 ID |
| -3 | 441-2539-00 | | | 1 | CHASSIS, MAIN; ASSEMBLY |

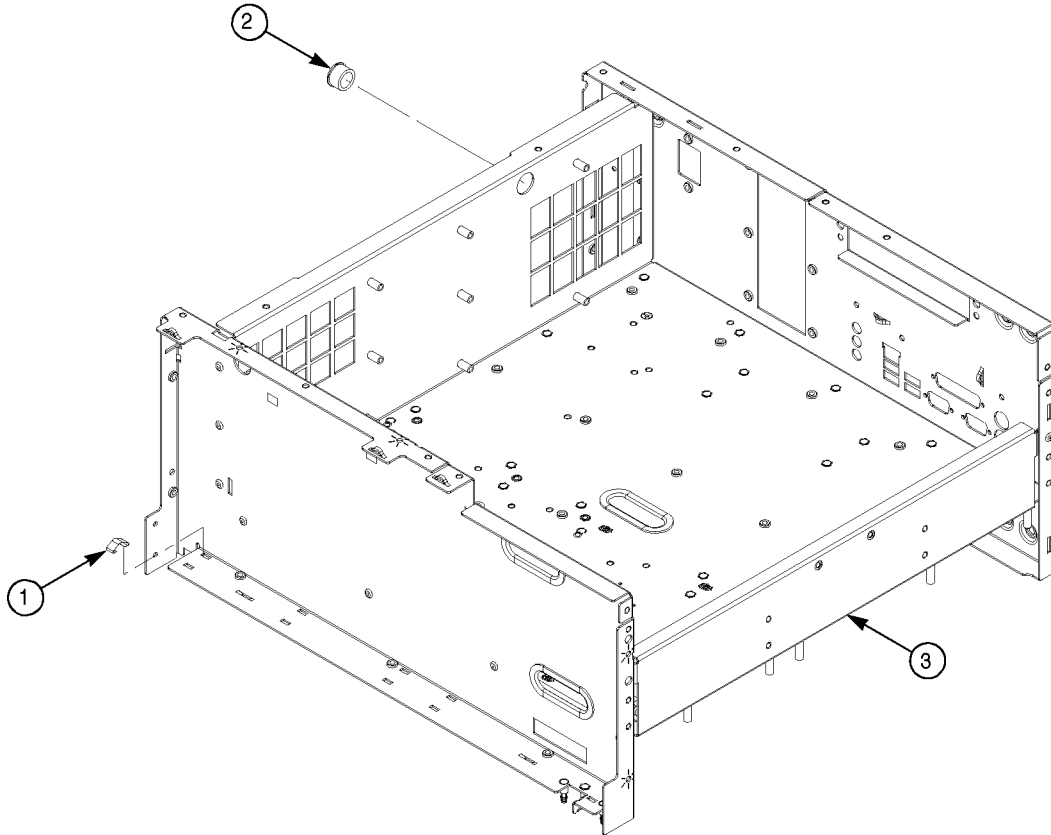


Figure 34: Exploded diagram - Chassis assembly

Replaceable parts list

| Fig. & index number | Tektronix part number | Serial no. effective | Serial no. dis-cont'd | Qty | Name & description |
|---------------------|-----------------------|----------------------|-----------------------|-----|---|
| 35- | | | | | FRONT-PANEL ASSEMBLY |
| -1 | 065-0762-01 | | | 1 | TOUCH SCREEN ASSEMBLY |
| -2 | 211-1050-00 | | | 4 | SCREW,MACHINE; 6-32 X 0.312 L,PNH,STL CAD PLT,T15 |
| -3 | 119-6813-00 | | | 1 | DISPLAY 10.4 INCH NL10276BC24-13 |
| -4 | 361-1836-00 | | | 2 | SPACER,PLATE; LEXAN,TOUCH SCREEN,W/ADHESIVE |
| -5 | 407-5173-01 | | | 1 | BRACKET;DISPLAY |
| -6 | 119-6806-00 | | | 1 | POWER SUPPLY;INVERTER |
| -7 | 211-0069-00 | | | 2 | SCREW,MACHINE; 2-56 X 0.125,PNH,STL CR PL,POZ |
| -8 | 174-4794-00 | | | 1 | CA ASSY; DISPLAY ADAPTER TO INVERTOR,SAFETY CONTROLLED |
| -9 | 679-6151-01 | | | 1 | CIRCUIT BOARD ASSY;FSW,FRONT PANEL SWITCH |
| -10 | 211-1050-00 | | | 2 | SCREW,MACHINE; 6-32 X 0.312 L,PNH,STL CAD PLT,T15 |
| -11 | 211-1050-00 | | | 7 | SCREW,MACHINE; 6-32 X 0.312 L,PNH,STL CAD PLT,T15 |
| -12 | 174-5256-00 | | | 1 | CABLE ASSY ELEC: 7P,0.1,1.18IN L,AWG 24,UL1061, 87456-5, 103958-4, TYCO,3-640441-3,AMP,FOR PWR SW & LEDS |
| -13 | 211-1050-00 | | | 4 | SCREW,MACHINE; 6-32 X 0.312 L,PNH,STL CAD PLT,T15 |
| -14 | 679-6098-02 | | | 1 | CIRCUIT BOARD ASSY:LCDA,LCD ADAPTER |
| -15 | 174-5254-00 | | | 1 | CABLE ASSY ELEC: 2X5P,0.1,19.7 IN L,AWG 24,W/KEYING PLUG, 87456-5, 87809-1 CONTACT,AMP |
| -16 | 174-5161-00 | | | 1 | CABLE ASSY;DISPLAY ADAPTER TO PCI BOARD |
| -17 | 129-1631-00 | | | 2 | LOCKING STANDOFF; NATURAL 3/8 IN. SPACER,NYLON 66,1M/BAG TOP/BOTTOM HOLES: 156 IN. /187 IN. TOP/BOTTOM PANEL THK: .062 IN.; |
| -18 | 679-6063-01 | | | 1 | CIRCUIT BOARD ASSY;FRONTPANEL 389377400 WIRED |
| -19 | 260-2819-00 | | | 1 | SWITCH,KEYPAD; FRONT PANEL 4CH; AWG7000 SERIES |
| -20 | 407-5176-00 | | | 1 | BRACKET;TRIM,FRONTPANEL,SHEET METAL,SAFETY CONTROLLED |
| -21 | 174-4791-00 | | | 1 | CA ASSY; DISPLAY ADAPTER TO XGA DISPLAY,SAFETY CONTROLLED |
| -22 | 211-1050-00 | | | 2 | SCREW,MACHINE; 6-32 X 0.312 L,PNH,STL CAD PLT,T15 |

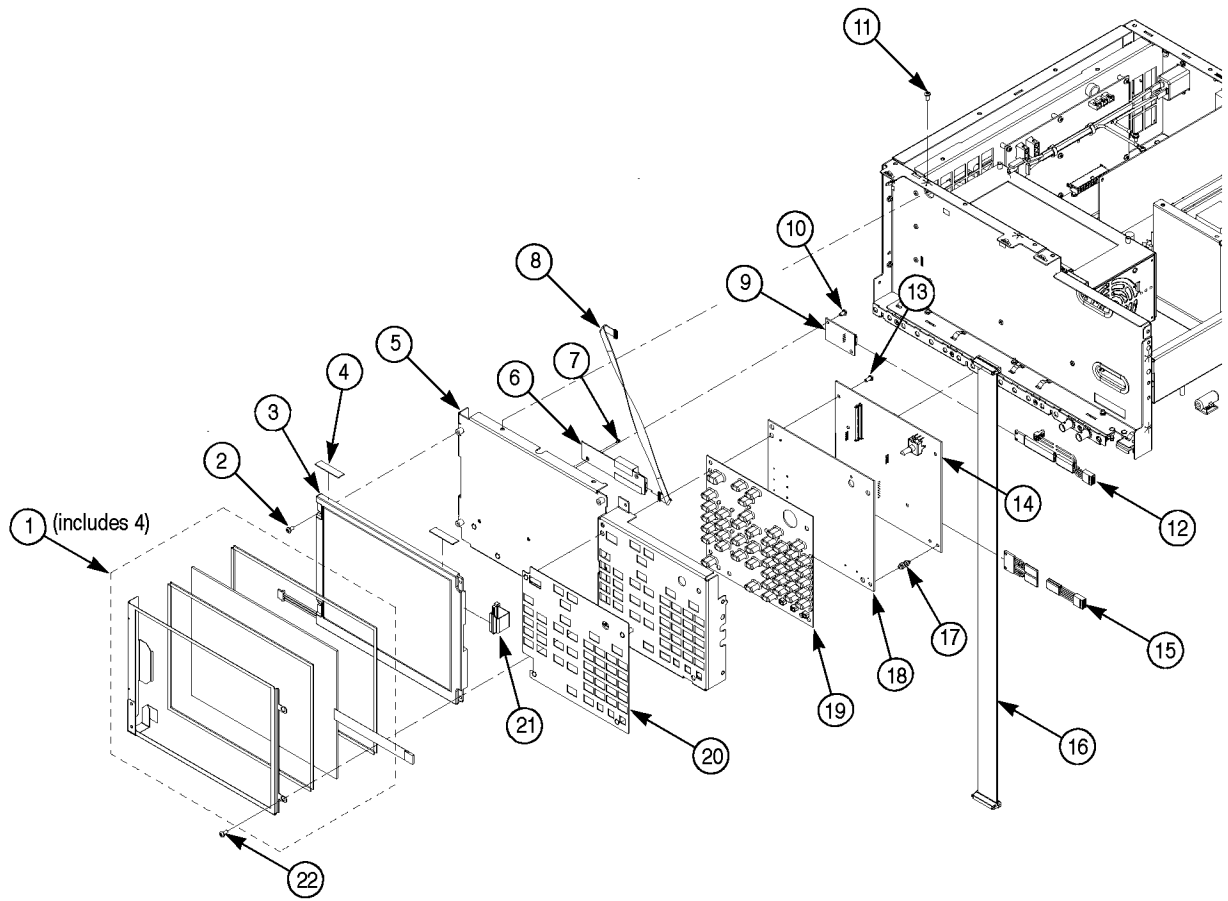


Figure 35: Exploded diagram - Front-panel assembly

Replaceable parts list

| Fig. & index number | Tektronix part number | Serial no. effective | Serial no. dis-cont'd | Qty | Name & description |
|---------------------|-----------------------|----------------------|-----------------------|-----|---|
| 36- | | | | | DRIVE MODULE |
| -1 | 407-5365-00 | | | 1 | BRACKET, REINFORCEMENT; MIO BOARD HOLDER WHEN INSTALLED |
| -2 | 211-1050-00 | | | 2 | SCREW,MACHINE; 6-32 X 0.312 L,PNH,STL CAD PLT,T15 |
| -3 | 407-5156-00 | | | 1 | BRACKET,DVD-CD/RW;ADAPTER FOR DVD-CD/RW SLIMLINE |
| -4 | 211-1050-00 | | | 5 | SCREW,MACHINE; 6-32 X 0.312 L,PNH,STL CAD PLT,T15 |
| -5 | 211-0950-00 | | | 4 | SCREW,MACHINE; M2X.4X3L,PHL, PNH, STL NI PL |
| -6 | 119-7196-00 | | | 1 | DISK DRIVE; OPTICAL; CDRW/DVDROM / TEAC |
| -7 | 129-1618-00 | | | 1 | SPACER; DVD-CD/RW SLIMLINE DRIVE ADAPTER,PLASTIC |
| -8 | 679-5915-00 | | | 1 | CKT BD SUBASSY; DVD-CD/RW ADAPTER, UNTESTED,389-3689-00 WIRED |
| -9 | 211-0888-00 | | | 2 | SCREW,METRIC; M-2 X 0.4 X 6MM,PHILLIPS PAN,ZINC PLATED,PHIL PAN HEAD,STEEL |
| -10 | 174-4671-00 | | | 1 | CA ASSY,SP; ULTRA DMA/ATA HARD DISK DRIVE,IDE,18.0 L,SAFETY CONTROLLED |
| -11 | 211-1050-00 | | | 8 | SCREW,MACHINE; 6-32 X 0.312 L,PNH,STL CAD PLT,T15 |
| -12 | 441-2474-xx | | | 1 | CHASSIS;DRIVE BAY;METAL |
| -13 | 407-5069-00 | | | 1 | BRACKET,RHDD; SATA COMBO CABLE,3.5 INCH REMOVABLE HARD DISK DRIVE RECEPTACLE |
| -14 | 211-1050-00 | | | 5 | SCREW,MACHINE; 6-32 X 0.312 L,PNH,STL CAD PLT,T15 |
| -15 | 174-5169-00 | | | 1 | CABLE ASSY; SATA COMBO,HARD DRIVE CABLE |
| -16 | 119-7189-01 | B010000 | B019999 | 1 | DISK DRIVE,HARD; 80GB,3.5 INCH,7200 RPM,SATA II 3.0 GB/S INTERFACE, HITACHI P/N HDS728080PLA380,PATHFINDER 0A30358, SAFETY CONTROLLED |
| | 650-5282-00 | B020000 | | 1 | DISK DRIVE ASSEMBLY, PROGRAMMED;DISK DRIVE ASSEMBLY, V3.4 PROGRAMMED FW;NEW LCD BOARD COMPATIBLE (6177024XX), GREATER THAN THE S/N BREAK B020000;AWG5000B & AWG7000B SERIES |
| -17 | 351-1118-00 | | | 1 | GUIDE,HD; REMOVABLE,3.5 INCH HARD DISK DRIVE, SAFETY CONTROLLED |
| -18 | 211-1174-00 | | | 4 | SCREW,MACHINE; W/HEAVY PATCH THREADLOCKING MATERIAL; 6-32 X 0.312 L,PNH,STL CAD PLT,T15 |
| -19 | 407-5331-00 | | | 1 | BRACKET, ASSEMBLY, REMOVABLE 3.5 INCH HARD DRIVE CARTRIDGE |
| -20 | 211-0734-00 | | | 4 | SCREW,MACHINE; 6-32 X 0.250,FLH100,STL,CDPL,T-10 TORX DR |
| -21 | 174-5017-00 | | | 1 | CABLE ASSEMBLY; DVD POWER, SAFETY CONTROLLED |
| -22 | 065-0811-01 | | | 1 | ACCESSORY KIT; REMOVABLE HDD ASSY; UNPROGRAMMED HARD DRIVE 119718901 W/PACKAGING |

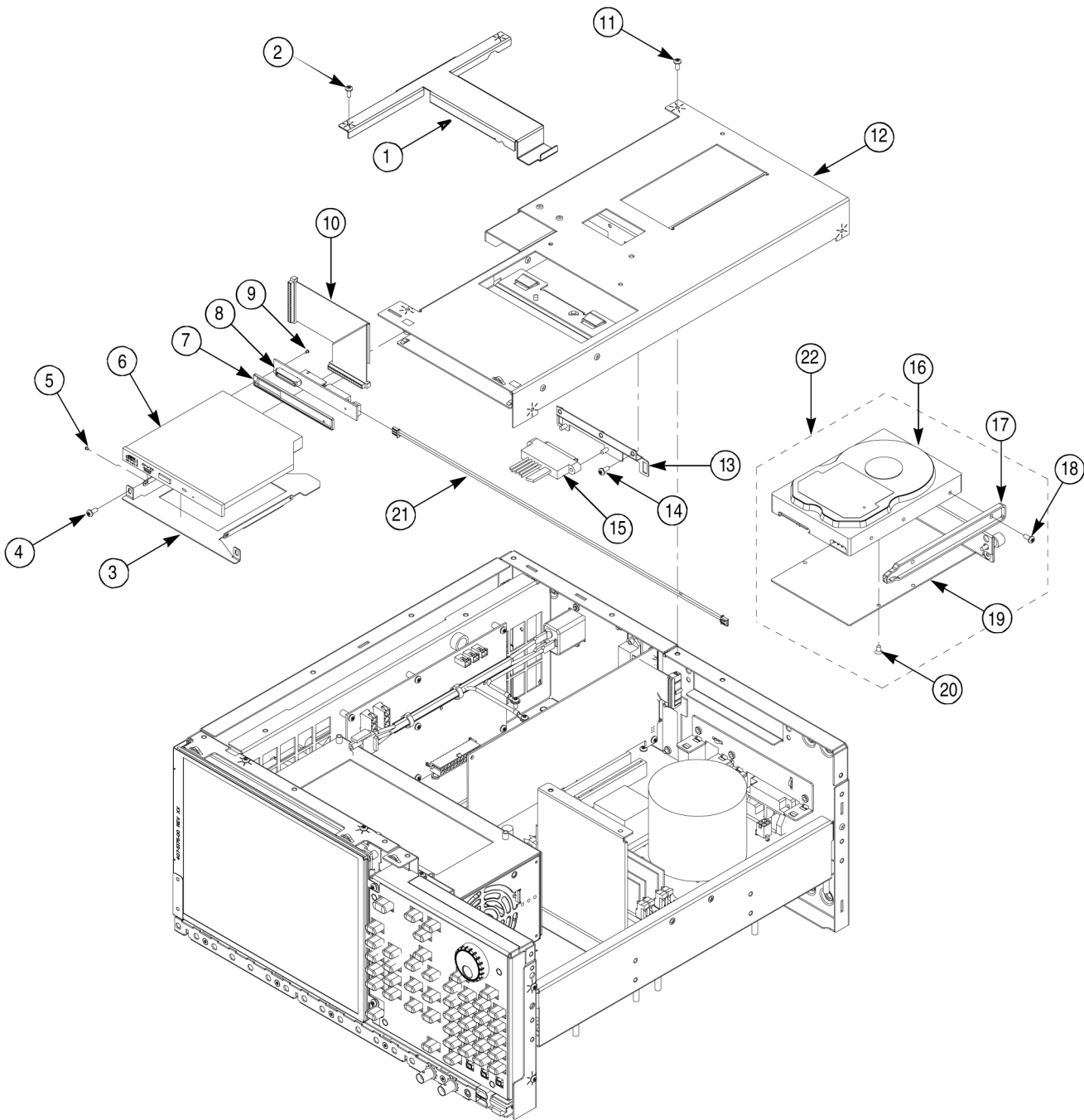


Figure 36: Exploded diagram - Drive module

Replaceable parts list

| Fig. & index number | Tektronix part number | Serial no. effective | Serial no. discount'd | Qty | Name & description |
|---------------------|-----------------------|----------------------|-----------------------|-----|---|
| 37- | | | | | PROCESSOR MODULE |
| -1 | 407-5195-01 | | | 1 | BRACKET;DRIVE BAY UNIT |
| -2 | 211-1050-00 | | | 10 | SCREW,MACHINE; 6-32 X 0.312 L,PNH,STL CAD PLT,T15 |
| -3 | 343-1627-00 | | | 1 | CABLE,CLAMP; 0.5H X 2.98L,0.625 W,NYLON 6-6,ADHESIVE,COVER 343-1636-00 |
| -4 | 343-1636-00 | | | 1 | CLAMP, COVER; FLT CABLE ROUTING CLAMP, 343-1627-00 BASE |
| -5 | 346-0128-00 | | | 2 | STRAP,TIEDOWN;8.0 L X 0.1 W,NYLON |
| -6 | 343-1701-00 | | | 2 | CLAMP,CABLE; WITH ADHESIVE BACK |
| -7 | 211-1050-00 | | | 8 | SCREW,MACHINE; 6-32 X 0.312 L,PNH,STL CAD PLT,T15 |
| -8 | 167-1048-00 | | | 1 | IC,MEMORY;128M X 64,1GB DDR2 1.8V,3-3-3,667 MHZ;MT8HTF12864AY-667E1,DIMM240,DS1 |
| | 167-1515-00 | | | 1 | IC MEMORY, DRAM MODULE; 2GB DDR2 PC5300 |
| -9 | 119-7333-00 | | | 1 | P4 LGA775 FAN-SINK-BRACKET FROM AVC |
| -10 | 167-0710-00 | | | 1 | PROCESSOR; CELERON D,2.93 GHZ,LEAD-FREE, 1.287V TO 1.4V CORE,84W,BUS SPD 533MHZ,FC-LGA4 775 PKG,W/O FAN and HEATSINK,HH80547RE077CN,INTEL |
| -11 | 335-0577-00 | | | 1 | MARKER,IDENT;MKD MAC ADDRESS LABEL |
| -12 | 342-1153-00 | | | 1 | INSULATOR; PLATE,MOTHER BOARD,0.04 POLYCARBONATE, TAPPEN |
| -13 | 441-2542-00 | | | 1 | CHASSIS,TRAY,PROCESSOR,TAPPEN, SAFETY CONTROLLED |
| -14 | 407-5320-00 | | | 1 | BRACKET,CONN; AL,0.063 THICK,W/131641700 EMI CLIPS |
| -15 | 211-1050-00 | | | 3 | SCREW,MACHINE; 6-32 X 0.312 L,PNH,STL CAD PLT,T15 |
| -16 | 214-3903-00 | | | 6 | SCREW,JACK; 4-40 X 0.312 LONG,0.188 H HEX HEAD STAND OFF, 4-40 INT THD, X 0.312 THD EXT 4-40 |
| -17 | 065-0813-02 | B010000 | B019999 | 1 | MODULE; PROCESSOR |
| | 650-5305-00 | B020000 | | | MODULE; PROCESSOR, REPROGRAMMED BIOS TO 62X1182C |

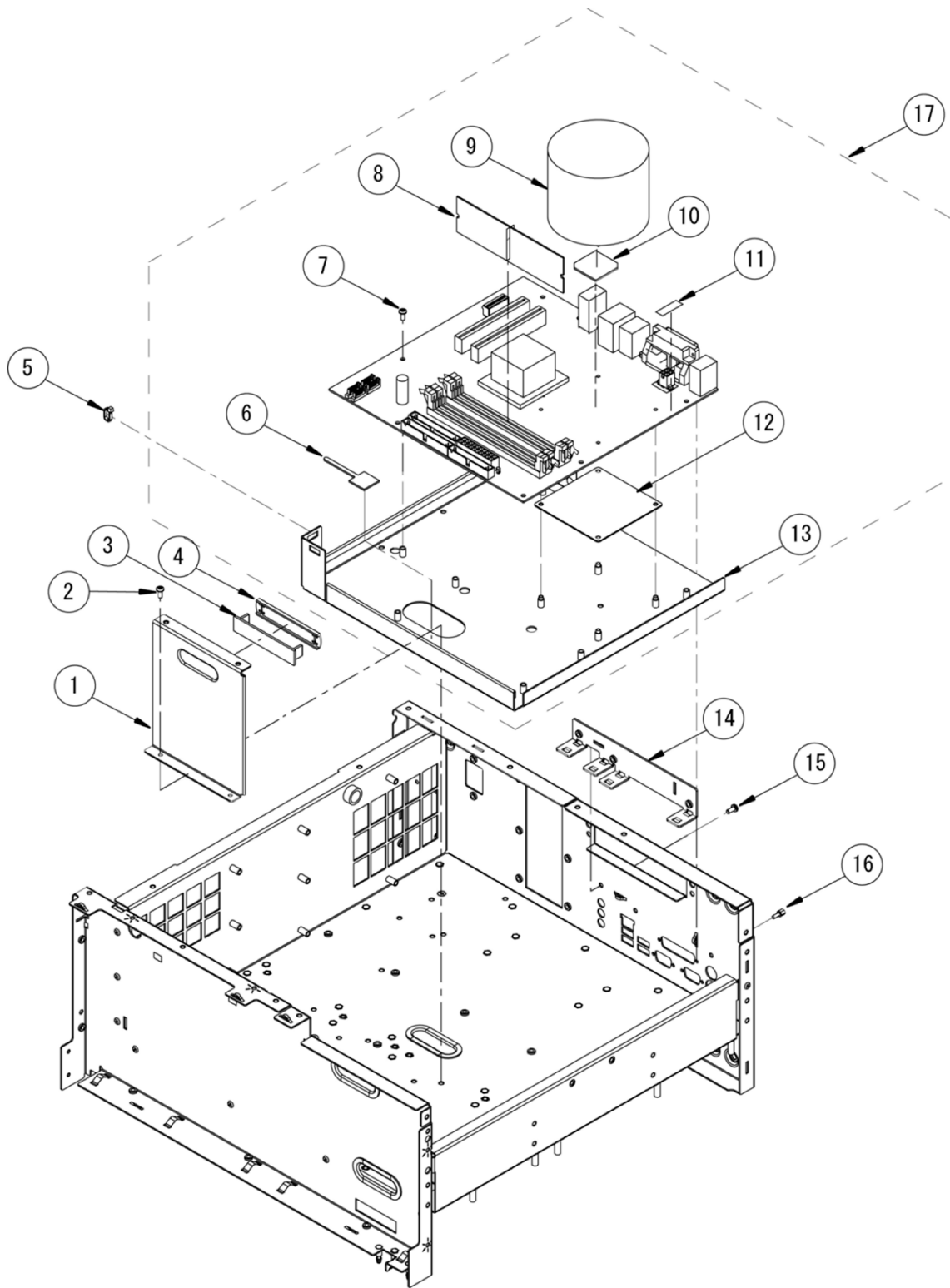


Figure 37: Exploded diagram - Processor module

Replaceable parts list

| Fig. & index number | Tektronix part number | Serial no. effective | Serial no. dis-cont'd | Qty | Name & description |
|---------------------|-----------------------|----------------------|-----------------------|-----|--|
| 38- | | | | | POWER SUPPLY ASSEMBLY |
| -1 | 342-1152-00 | | | 1 | INSULATOR, FOR 119B12800 ZWQ130-5224 POWER SUPPLY, POLYCARBONATE, SAFETY CONTROLLED |
| -2 | 335-1724-00 | | | 1 | MARKER, IDENT; LABEL, WARNING, 2.0 X 1.0, 0.0035 SILVER POLY, W/ACRYLIC ADHESIVE; TMSSK1, SAFETY CONTROLLED |
| -3 | 119-6986-01 | | | 1 | POWER SUPPLY; AC-DC; 460W; +3.3V 40A, +5V 34A, +12V 25A, -12V 1A, +5VSB 2A; 90-264VAC, 47-63HZ; BERG 51624-XX001; 9.5X4.9X3.8IN, SAFETY CONTROLLED |
| -4 | 174-5304-00 | | | 1 | CABLE ASSY ELEC: 1 X 6, 1 X 3, 1 X 8, 17.7IN L, 18 AWG X 6, VHR-6N, VHS-3N, VHR-8N, JST |
| -5 | 174-5305-00 | | | 1 | CABLE ASSY ELEC: 1 X 6, 1 X 3, 1 X 8, 17.7IN L, 18 AWG X 6, VHR-6N, VHS-3N, VHR-8N, JST |
| -6 | 174-5306-00 | | | 1 | CABLE ASSY ELEC: 1 X 5, 1 X 3, 7.9IN L, AWG18 X 3, VHR-5H, JST, 350766-1, TYCO, SAFETY CONTROLLED |
| -7 | 211-1050-00 | | | 6 | SCREW, MACHINE; 6-32 X 0.312 L, PNH, STL CAD PLT, T15 |
| -8 | 211-1050-00 | | | 7 | SCREW, MACHINE; 6-32 X 0.312 L, PNH, STL CAD PLT, T15 |
| -9 | 119-B128-00 | | | 1 | POWER SUPPLY; ZWQ130-5224 |
| -10 | 407-5145-01 | | | 1 | BRACKET, POWER SUPPLY |
| -11 | 211-1050-00 | | | 4 | SCREW, MACHINE; 6-32 X 0.312 L, PNH, STL CAD PLT, T15 |

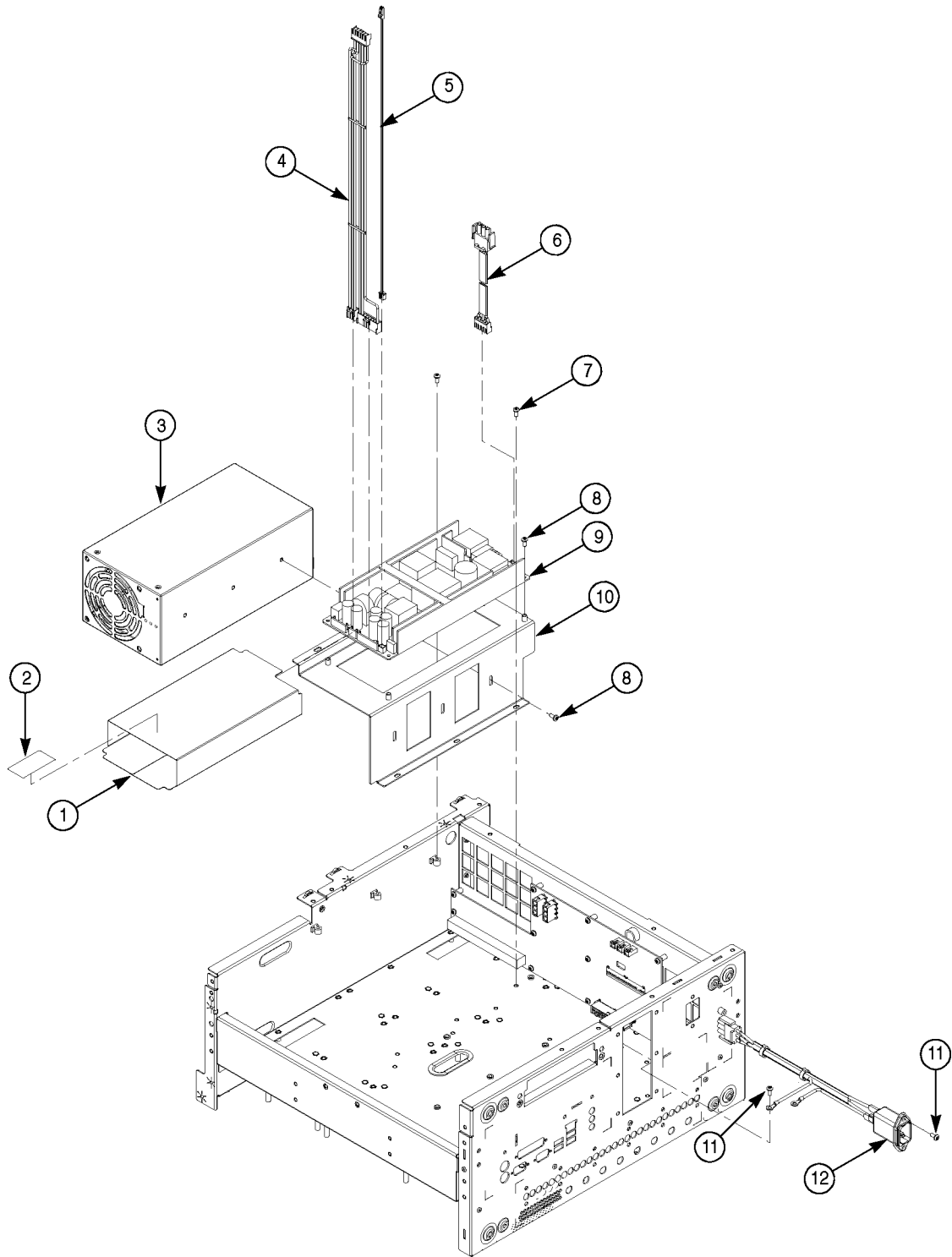


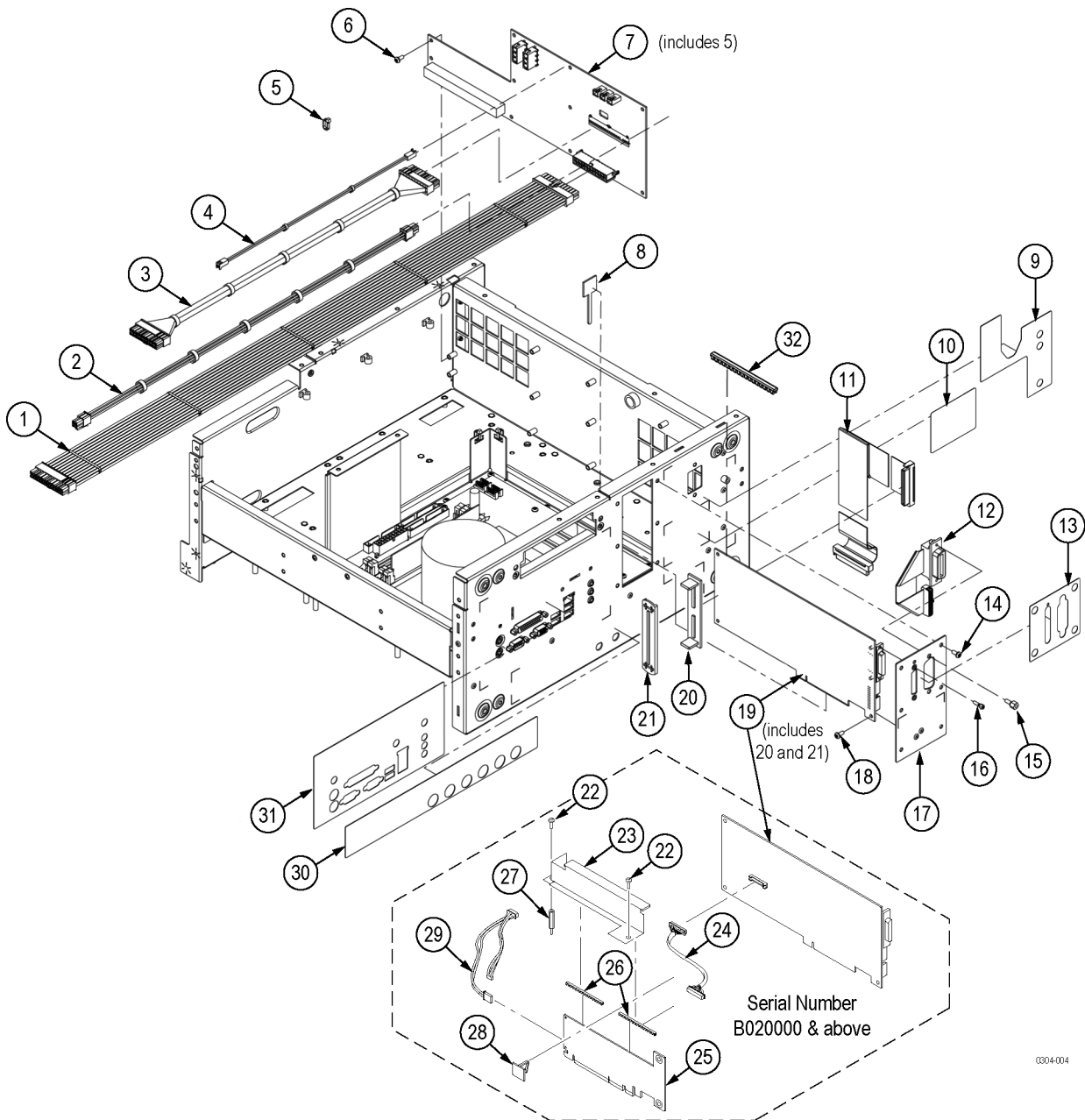
Figure 38: Exploded diagram - Power supply assembly

Replaceable parts list

| Fig. & index number | Tektronix part number | Serial no. effective | Serial no. discont'd | Qty | Name & description |
|---------------------|-----------------------|----------------------|----------------------|-----|--|
| 39- | | | | | PCI/POWER INTERFACE MODULE |
| -1 | 174-5246-00 | | | 1 | CABLE ASSY ELEC: 2 X 12P,31IN L,AWG16 X 24,39-01-2245, 39-01-2245,MOLEX |
| -2 | 174-4798-00 | | | 1 | CABLE ASSEMBLY; 4 PIN P4 POWER,SAFETY CONTROLLED |
| -3 | 174-4797-00 | | | 1 | CABLE ASSEMBLY; 20 PIN ATX POWER,SAFETY CONTROLLED |
| -4 | 174-5255-00 | B010000 | B019999 | 1 | CABLE ASSY ELEC: 2P,0.1,11.8IN L,AWG 22,UL1430, 22-01-3027, 08-50-0114 CONTACT, MOLEX |
| -5 | 346-0128-00 | | | 2 | STRAP,TIEDOWN;8.0 L X 0.1 W,NYLON |
| -6 | 211-1050-00 | | | 10 | SCREW,MACHINE; 6-32 X 0.312 L,PNH,STL CAD PLT,T15 |
| -7 | 679-6237-01 | | | 1 | CIRCUIT BOARD ASSY; POWER DC-DC, 389-3775-00 |
| -8 | 343-1701-00 | | | 1 | CLAMP,CABLE; WITH ADHESIVE BACK |
| -9 | 335-1717-00 | | | 1 | MARKER, IDENT; LABEL, COSMETIC, REAR, LEXAN |
| -10 | 335-0347-00 | | | | MARKER,IDENT; REAR PANEL,BLANK,2.100 X 2.700,SAFETY CONTROLLED |
| -11 | 174-5245-00 | | | 1 | CABLE ASSY ELEC: FLAT CABLE,TWISTED PAIR,68P,0.05 PITCH, 20IN L,SDA-71660-3568,MOLEX |
| -12 | 174-5307-00 | | | 1 | CABLE ASSY ELEC: GPIB,5INL,BOARD TO REAR PANEL,24P GPIB CONN TO 24P HEADER CONN,W/O JACK SCREW, SAFETY CONTROLLED |
| -13 | 335-1668-00 | | | 1 | MARKER,IDENT; LABEL, I/O FOR PCI PCB (ATTACHES TO PCI PCB BRACKET), SAFETY CONTROLLED |
| -14 | 211-1050-00 | | | 6 | SCREW,MACHINE; 6-32 X 0.312 L,PNH,STL CAD PLT,T15 |
| -15 | 213-1061-00 | | | 2 | JACKSCREW; 6-32 X 0.320 EXT THD,M3.5 X 0.6-6 INT THD X 0.215L, GPIB, BLACK OXIDE, BULK PACK |
| -16 | 211-1206-01 | | | 2 | SCREW,JACK; 2-56 ID X 4-40 OD,0.188 HEX,SS |
| -17 | 386-7462-00 | | | 1 | BRACKET, REAR: MIO |
| -18 | 211-1050-00 | | | 1 | SCREW,MACHINE; 6-32 X 0.312 L,PNH,STL CAD PLT,T15 |
| -19 | 671-6049-01 | B010000 | B019999 | 1 | CIRCUIT BOARD ASSY; MIO MULTI-I/O, FR-4 |
| | 671-7024-00 | B020000 | | 1 | CIRCUIT BOARD ASSY; MIO MULTI-I/O BOARD FOR ADD2 CARD, FR-4,W/CABLE CLAMP BACKSIDE |
| -20 | 343-1627-00 | | | 1 | CABLE,CLAMP; 0.5H X 2.98L,0.625 W,NYLON 6-6, ADHESIVE,COVER 343-1636-00 |
| -21 | 343-1636-00 | | | 1 | CLAMP, COVER; FLT CABLE ROUTING CLAMP, 343-1627-00 BASE |
| -22 | 211-1050-00 | B020000 | | 2 | SCREW,MACHINE; 6-32 X 0.312 L,PNH,STL CAD PLT,T15 |
| -23 | 386-7518-00 | B020000 | | 1 | SUPPORT, PCB; ADD2 |
| -24 | 174-5609-00 | B020000 | | 1 | CA ASSY,SP; 40/20 TW PR,28 AWG,12 IN L,40 POS,W/SHEATH,0.050 CTR X 40 POS,PLUG,W/DF13-40DS-1.25C,UL20276 EQ,ADD2 TO MIO, SAFETY CONTROLLED |
| -25 | 119-7549-00 | B020000 | | 1 | ADD2 DISPLAY ADAPTER CARD WITH LVDS SUPPORT |
| -26 | 348-1952-00 | B020000 | | 2 | GROMMET, PLASTIC; U SHAPE, 2.210 L, NATURAL, RICHCO#MSG-1-01 |
| -27 | 129-1658-00 | B020000 | | 1 | SPACER POST: 6-32M/F,1.125L, 1/4HEX, THREADS |
| -28 | 343-1701-00 | B020000 | | 1 | CLAMP,CABLE; WITH ADHESIVE BACK |
| -29 | 174-5610-00 | B020000 | | 1 | CA ASSY,SP; DISCRETE; 5,24 AWG,12 IN L,MIO TO ADD2, SAFETY CONTROLLED |

Replaceable Parts

| Fig. & index number | Tektronix part number | Serial no. effective | Serial no. discontinued | Qty | Name & description |
|--------------------------------|------------------------------|-----------------------------|--------------------------------|------------|--|
| -30 | 335-1665-00 | | | 1 | MARKER,IDENT; LABEL,REAR IO,SAFETY CONTROLLED, LEXAN, 2CH |
| | 335-1723-00 | | | 1 | MARKER,IDENT; LABEL,REAR IO,SAFETY CONTROLLED, LEXAN, 4CH |
| -31 | 335-1978-00 | | | 1 | MARKER,IDENT; LABEL,REAR I/O,MAIN,LEXAN, SAFETY CONTROLLED |
| -32 | 348-1952-00 | | | 1 | GROMMET, PLASTIC; U SHAPE, 2.210 L, NATURAL, RICHCO#MSG-1-01 |



0304-004

Figure 39: Exploded diagram - PCI/power interface module

Replaceable parts list

| Fig. & index number | Tektronix part number | Serial no. effective | Serial no. discont'd | Qty | Name & description |
|---------------------|-----------------------|----------------------|----------------------|-----|---|
| 40- | | | | | FAN TRAY ASSEMBLY |
| -1 | 211-1050-00 | | | 4 | SCREW,MACHINE; 6-32 X 0.312 L,PNH,STL CAD PLT,T15 |
| -2 | 211-1213-01 | | | 12 | SCREW, METRIC 5 X 10MM, FLATHEAD, STL, ZINC, POSI |
| -3 | 407-5170-02 | | | 1 | BRACKET,FAN TRAY |
| -4 | 343-0549-00 | | | 2 | STRAP,TIEDOWN; 0.098 W X 4.0 L, ZYTEL |
| -5 | 119-7182-00 | | | 3 | FAN,TUBEAXIAL; 12VDC,0.40A,4.80W,2500RPM, 100.6CFM, 120MM, LEADS W/CONN |

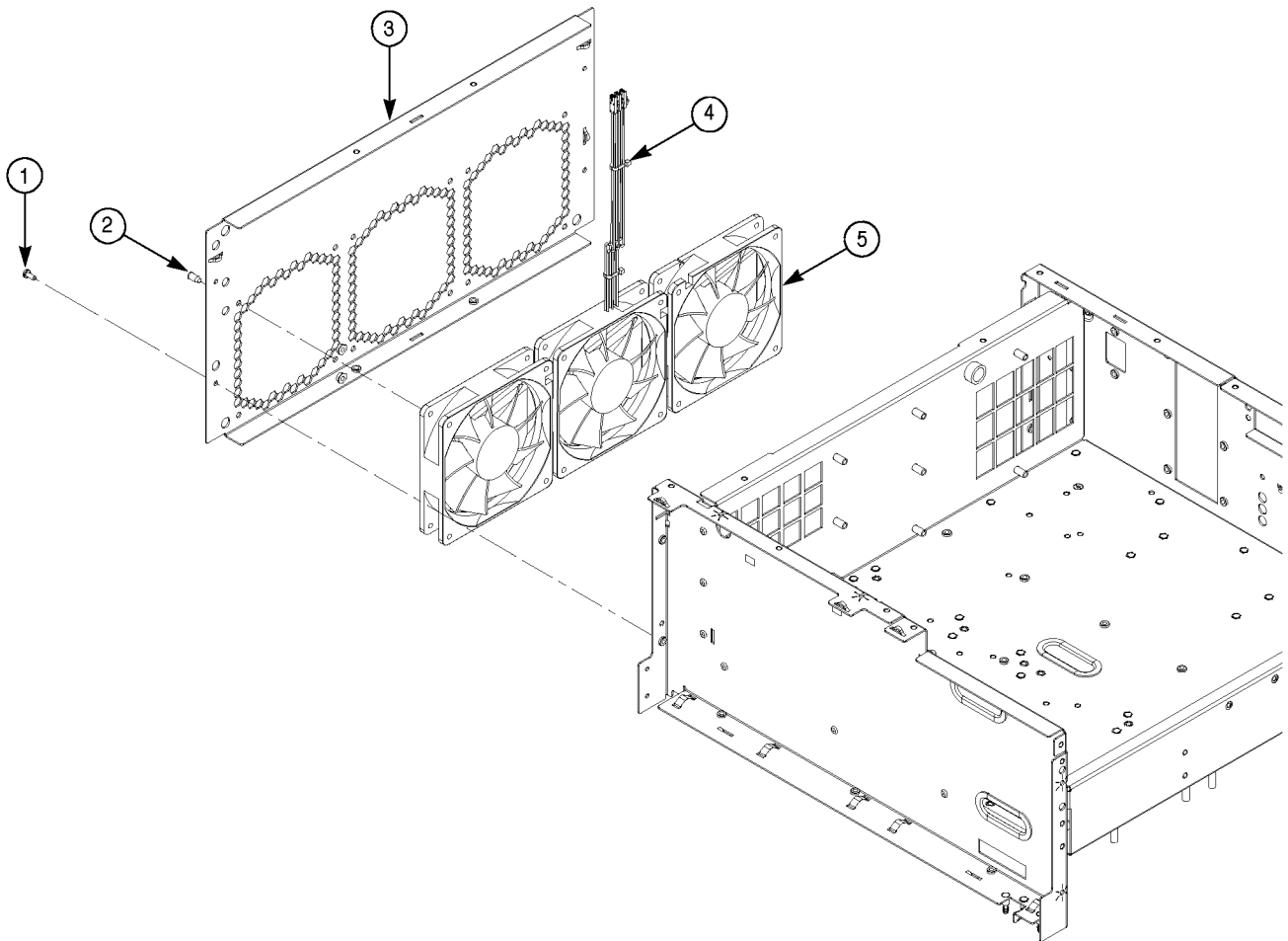


Figure 40: Exploded diagram - Fan tray assembly

Replaceable parts list

| Fig. & index number | Tektronix part number | Serial no. effective | Serial no. discont'd | Qty | Name & description |
|---------------------|-----------------------|----------------------|----------------------|-----|---|
| 41- | | | | | USB MODULE |
| -1 | 348-1898-00 | | | 1 | GASKET,ELEC;CONDUCTIVE URETHANE FORM 0.196X0.196X0.850, W/ADHESIVE, CHOMERICS #77-12-3611-00085, SOFT-SHIELD 3500 |
| -2 | 342-1169-00 | | | 1 | INSULATOR,PLATE,USB-DC BOARD |
| -3 | 671-6350-01 | | | 1 | CIRCUIT BOARD ASSY; FCON, FRONT PANEL CONNECTOR |
| -4 | 174-5233-00 | | | 1 | CA ASSY,INTCON; CMPST,USB2.0,24/28 AWG,24 IN L,10 POS,1 X 10 AND 2 X 5,USB2.0 CABLE X 2,0.1 CTR |
| -5 | 174-5474-00 | | | 1 | CABLE ASSY ELEC: 1 X 8P,FLAT,0.1,13.8IN L,AWG 26,103958-7 AMP |
| -6 | 211-1050-00 | | | 2 | SCREW,MACHINE; 6-32 X 0.312 L,PNH,STL CAD PLT,T15 |

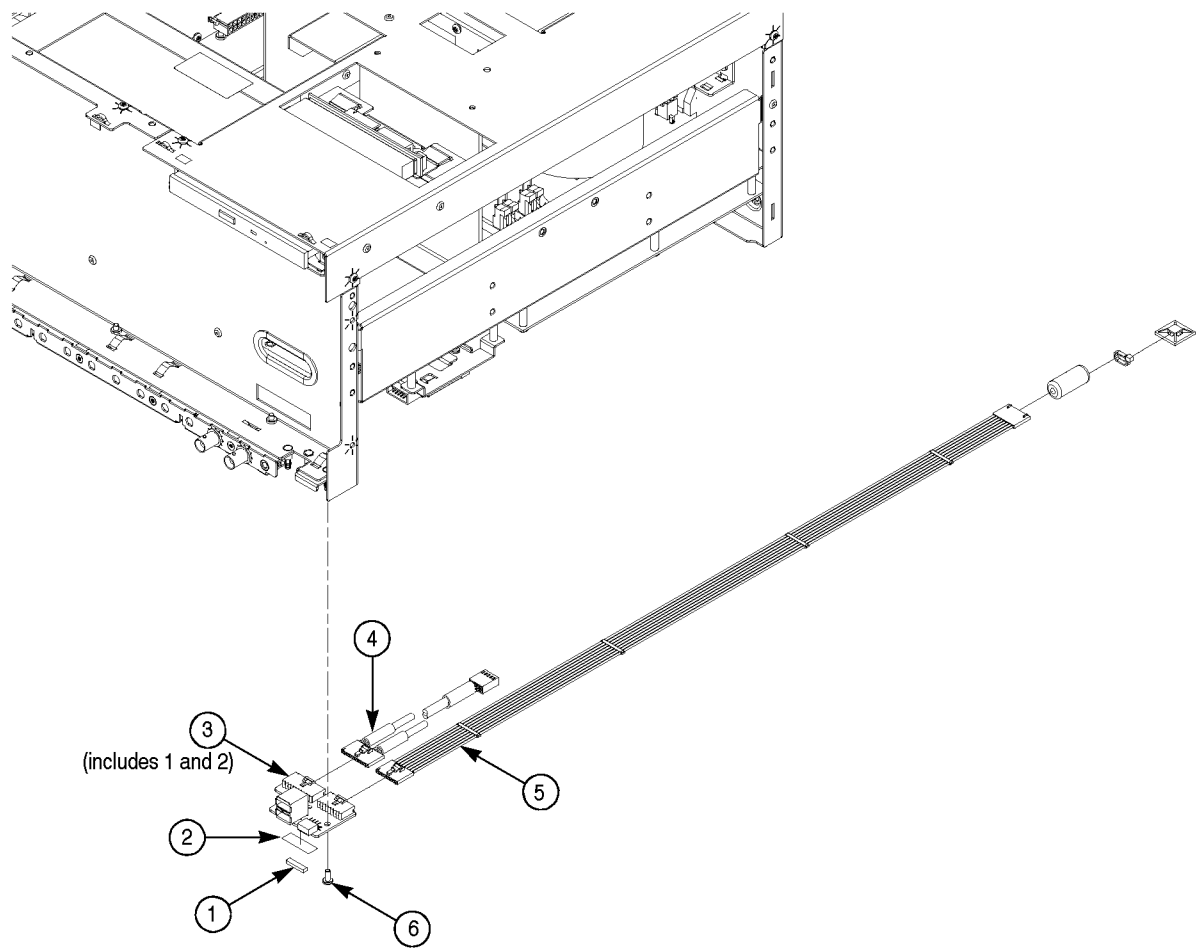


Figure 41: Exploded diagram - USB module

Replaceable parts list

| Fig. & index number | Tektronix part number | Model | Serial no. effective | Serial no. discont'd | Qty | Name & description |
|---------------------|-----------------------|----------|----------------------|----------------------|-----|--|
| 42- | | | | | | AWG1G/CLK1G/OUT1G MODULES |
| -1 | 337-4400-00 | AWG50x2B | | | 1 | BRACKET, BNC CABLES |
| | 337-4400-00 | AWG50x4B | | | 2 | BRACKET, BNC CABLES |
| -2 | 211-1050-00 | AWG50x2B | | | 2 | SCREW,MACHINE; 6-32 X 0.312 L,PNH,STL CAD PLT,T15 |
| | 211-1050-00 | AWG50x4B | | | 4 | SCREW,MACHINE; 6-32 X 0.312 L,PNH,STL CAD PLT,T15 |
| -3 | 343-1716-00 | AWG50x2B | | | 3 | CLAMP, CABLE; WIRE ROUTING, FOR 3MM OD,4 WAY, 0.870(W) X 0.370(D) X 0.260(H), NYLON66, UL94V-0, W/ADHESIVE,NATURAL COLOR,SAFETY CONTROLLED,PB-FREE |
| | 343-1716-00 | AWG50x4B | | | 6 | CLAMP, CABLE; WIRE ROUTING, FOR 3MM OD,4 WAY, 0.870(W) X 0.370(D) X 0.260(H),NYLON66,UL94V-0, W/ADHESIVE,NATURAL COLOR,SAFETY CONTROLLED,PB-FREE |
| -4 | 343-0549-00 | AWG50x2B | | | 3 | STRAP,TIEDOWN; 0.098 W X 4.0 L,ZYTEL |
| | 343-0549-00 | AWG50x4B | | | 6 | STRAP,TIEDOWN; 0.098 W X 4.0 L,ZYTEL |
| -5 | 671-6158-00 | AWG50x2B | | | 1 | CIRCUIT BOARD ASSY; OUT1G,OUTPUT 1.2GS |
| | 671-6158-00 | AWG50x4B | | | 2 | CIRCUIT BOARD ASSY; OUT1G,OUTPUT 1.2GS |
| -6 | 211-1050-00 | AWG50x2B | | | 8 | SCREW,MACHINE; 6-32 X 0.312 L,PNH,STL CAD PLT,T15 |
| | 211-1050-00 | AWG50x4B | | | 16 | SCREW,MACHINE; 6-32 X 0.312 L,PNH,STL CAD PLT,T15 |
| -7 | 211-1050-00 | | | | 12 | SCREW,MACHINE; 6-32 X 0.312 L,PNH,STL CAD PLT,T15 |
| -8 | 174-5303-00 | | | | 1 | CABLE ASSY ELEC: 2X4, 9.5IN L,18 AWG X 8, 39-01-2085, MOLEX |
| -9 | 211-1050-00 | | | | 12 | SCREW,MACHINE; 6-32 X 0.312 L,PNH,STL CAD PLT,T15 |

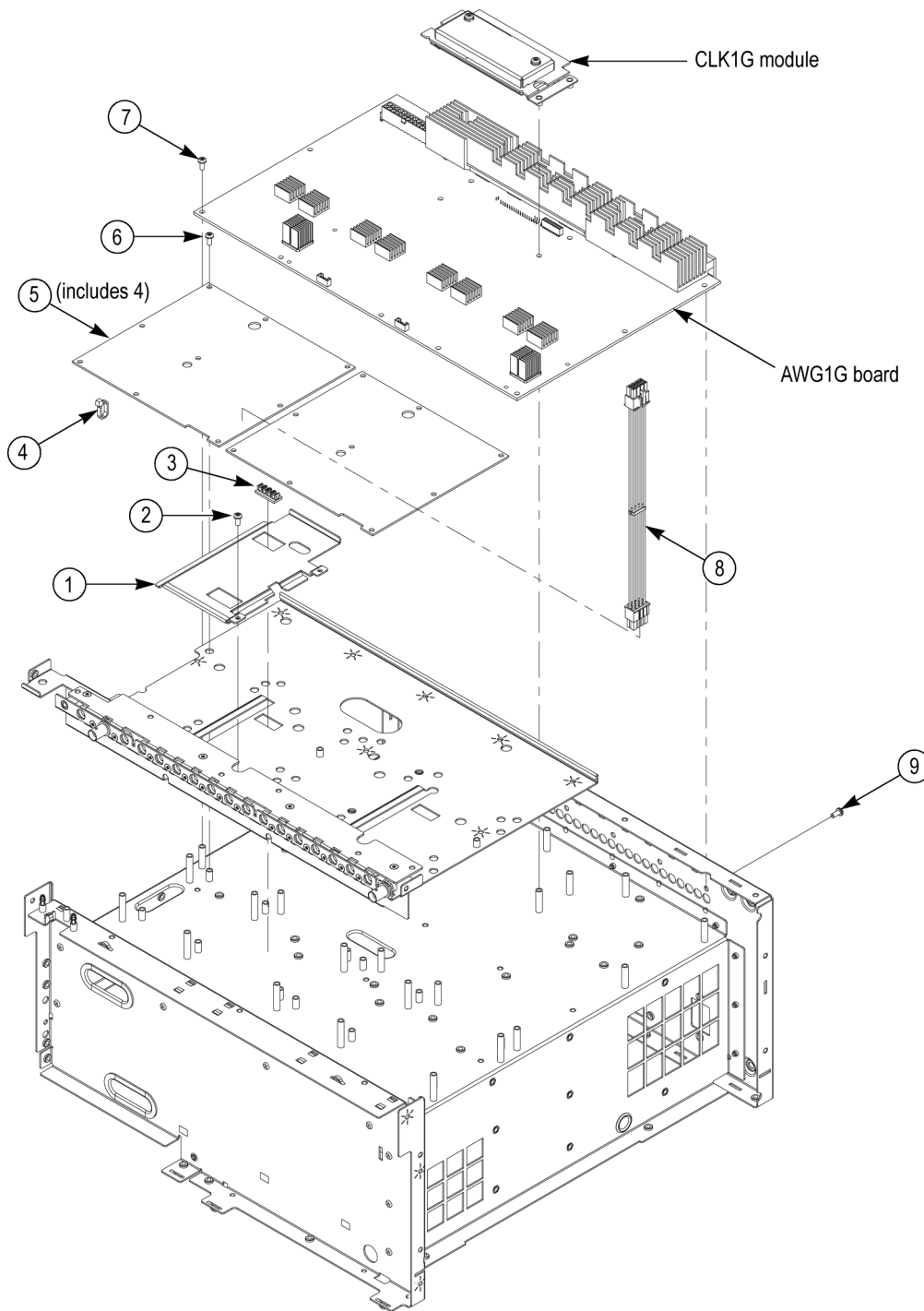


Figure 42: Exploded diagram – AWG1G/CLK1G/OUT1G modules

Replaceable parts list

| Fig. & index number | Tektronix part number | Serial no. effective | Serial no. discont'd | Qty | Name & description |
|---------------------|-----------------------|----------------------|----------------------|-----|--|
| 43- | | | | | CLK1G MODULE |
| -1 | 174-5315-00 | | | 1 | CABLE ASSY ELEC: RF,COAX,7.1IN L,50 OHM, PELTOLA, PELTOLA,FLEX COAX CABLE |
| -2 | 211-0691-00 | | | 6 | SCR, ASSEM WSHR; 6-32 X 0.625, PNH, 410 SS PASSIVATED, T-15 TORX DR, MACHINE |
| -3 | 337-4376-00 | | | 1 | SHIELD ELEC, TOP, CLK1 BOARD |
| -4 | 671-6187-00 | | | 1 | CLK1G, 1.2GHZ CLOCK BOARD ASSY |
| -5 | 337-4377-00 | | | 1 | SHIELD ELEC, BOTTOM, CLK1 BOARD |

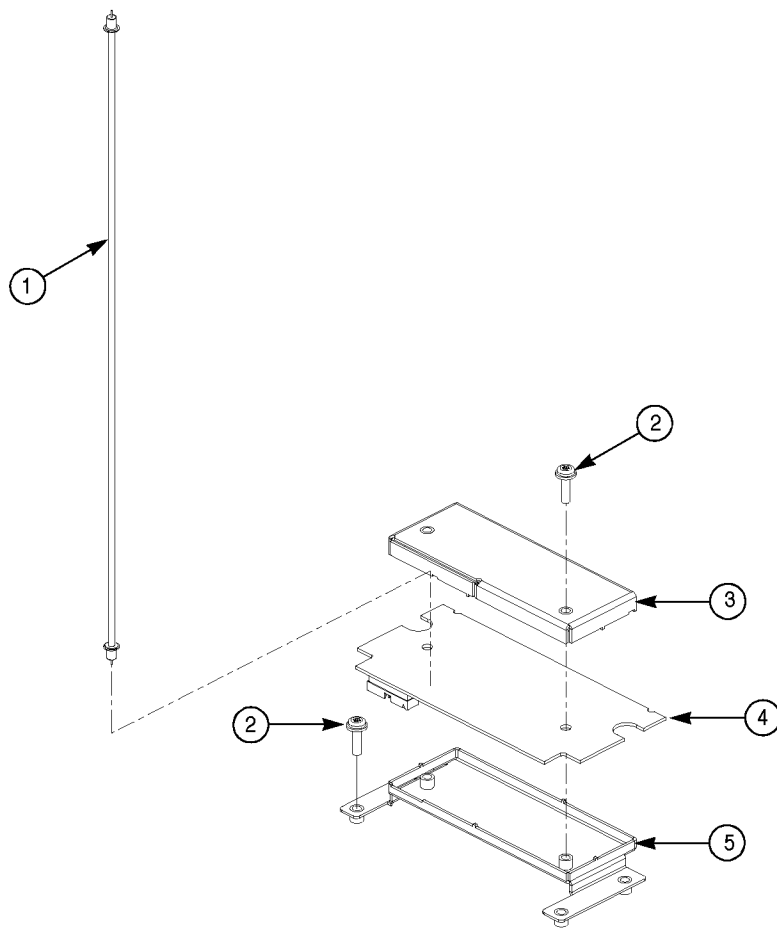


Figure 43: Exploded diagram - CLK1G module

Replaceable parts list

| Fig. & index number | Tektronix part number | Model | Serial no. effective | Serial no. discont'd | Qty | Name & description |
|---------------------|-----------------------|----------|----------------------|----------------------|-----|---|
| 44- | | | | | | AWG1G MODULE |
| -1 | 174-5292-00 | AWG50x2B | | | 4 | CABLE ASSY ELEC: RF,COAX,4IN L,50 OHM, PELTOLA, PELTOLA,FLEX COAX CABLE |
| | 174-5292-00 | AWG50x4B | | | 8 | CABLE ASSY ELEC: RF,COAX,4IN L,50 OHM, PELTOLA, PELTOLA,FLEX COAX CABLE |
| -2 | 671-6155-00 | AWG50x2B | | | 1 | CIRCUIT BOARD ASSY; AWG1G, AWG 1.2GS, 2CH, W/EXT_MEMORY, W/DIGITAL-OUT |
| | 671-6157-00 | AWG50x4B | | | 1 | CIRCUIT BOARD ASSY; AWG1G, AWG 1.2GS, 4CH, W/EXT_MEMORY |
| -3 | 174-5316-00 | AWG50x2B | | | 1 | CABLE ASSY ELEC: 1 X 5,7.1IN L,24 AWG X 5, PHR-5, PHR-5,JST |
| | 174-5316-00 | AWG50x4B | | | 2 | CABLE ASSY ELEC: 1 X 5,7.1IN L,24 AWG X 5, PHR-5, PHR-5,JST |

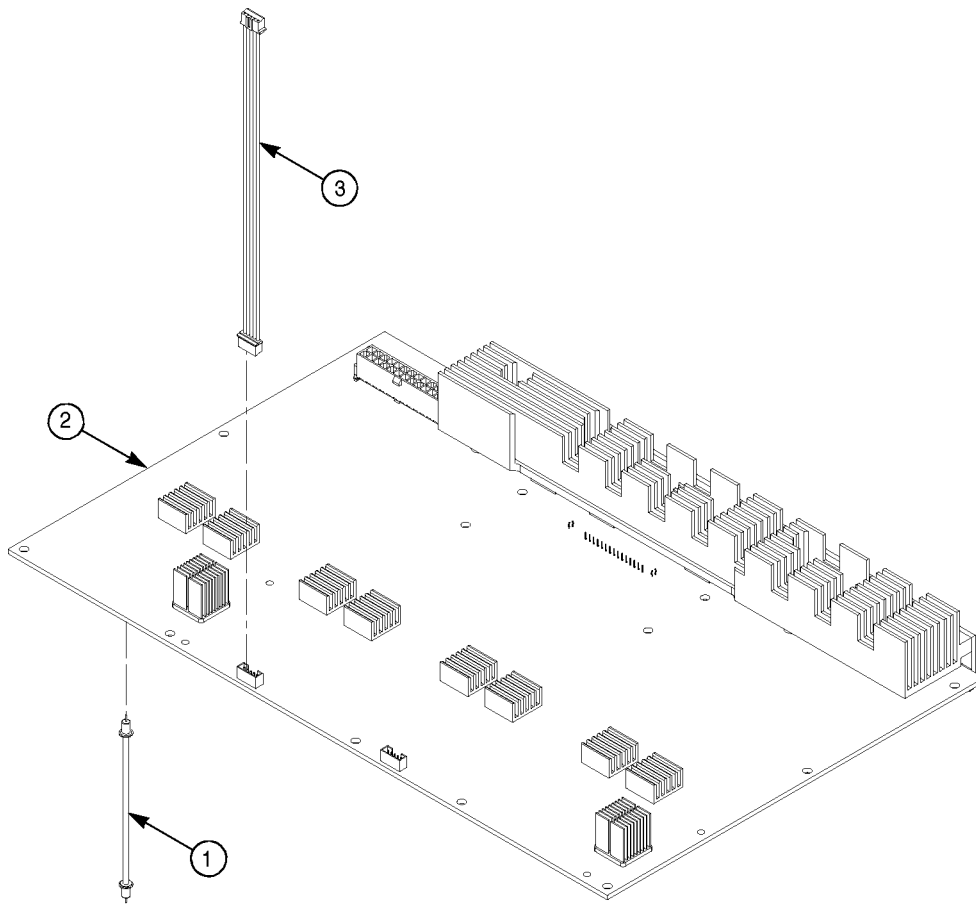


Figure 44: Exploded diagram - AWG1G module

Replaceable Parts

Replaceable parts list

| Fig. & index number | Tektronix part number | Model | Serial no. effective | Serial no. discont'd | Qty | Name & description |
|---------------------|-----------------------|----------|----------------------|----------------------|-----|---|
| 45- | | | | | | BNC BRACKET |
| -1 | 211-0734-00 | | | | 18 | SCREW,MACHINE; 6-32 X 0.250,FLH100,STL,CDPL,T-10 TORX DR |
| -2 | 386-7485-01 | | | | 1 | PLATE,BOTTOM:BRACKET FRONT BNC,14.975 X 1.160 X 0.060,AL |
| -3 | 174-5313-00 | | | | 2 | CABLE ASSY ELEC: RF,COAX,18.5IN L,50 OHM, PELTOLA,FLEX COAX CABLE |
| -4 | 407-5166-00 | | | | 1 | BRACKET,BNC,FRONT I/O |
| -5 | 174-5312-00 | AWG50x2B | | | 4 | CABLE ASSY ELEC: RF,COAX,14.2IN L,50 OHM, PELTOLA, FLEX COAX CABLE |
| | 174-5312-00 | AWG50x4B | | | 8 | CABLE ASSY ELEC: RF,COAX,14.2IN L,50 OHM, PELTOLA, FLEX COAX CABLE |
| -6 | 174-5311-00 | AWG50x2B | | | 4 | CABLE ASSY ELEC: RF,COAX,9IN L,50 OHM,PELTOLA, FLEX COAX CABLE |
| | 174-5311-00 | AWG50x4B | | | 8 | CABLE ASSY ELEC: RF,COAX,9IN L,50 OHM,PELTOLA, FLEX COAX CABLE |
| -7 | 131-8054-00 | AWG50x2B | | | 10 | CONN,RF,JACK; BNC,PNL,50 OHM,FEMALE, STR, PELTOLA/PNL MNT,SILVER ALLOY, 0.576 MLG X 0.366 TERMN,0.375-32 THD,D-FLAT, WITH KNURL |
| | 131-8054-00 | AWG50x4B | | | 18 | CONN,RF,JACK; BNC,PNL,50 OHM,FEMALE, STR, PELTOLA/PNL MNT,SILVER ALLOY, 0.576 MLG X 0.366 TERMN,0.375-32 THD,D-FLAT, WITH KNURL |

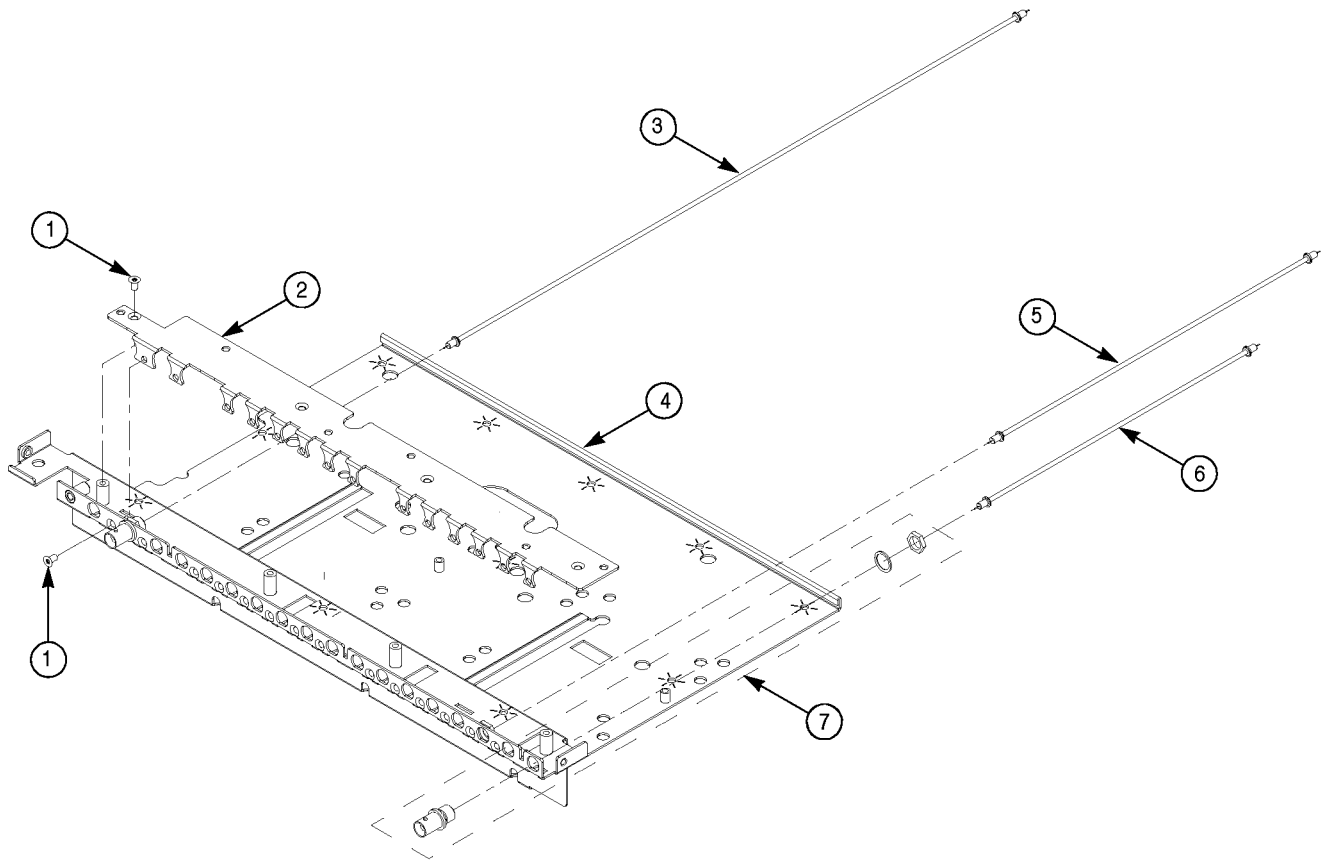


Figure 45: Exploded diagram - BNC bracket

Replaceable Parts

Replaceable parts list

| Fig. & index number | Tektronix part number | Model | Serial no. effective | Serial no. discount'd | Qty | Name & description |
|---------------------|-----------------------|----------|----------------------|-----------------------|-----|---|
| 46- | | | | | | REAR CONNECTORS |
| -1 | 174-5312-00 | | | | 2 | CABLE ASSY ELEC: RF,COAX,14.2IN L,50 OHM, PELTOLA,FLEX COAX CABLE |
| -2 | 174-5314-00 | AWG50x2B | | | 2 | CABLE ASSY ELEC: RF,COAX,12.8IN L,50 OHM, PELTOLA,FLEX COAX CABLE |
| | 174-5314-00 | AWG50x4B | | | 4 | CABLE ASSY ELEC: RF,COAX,12.8IN L,50 OHM, PELTOLA,FLEX COAX CABLE |
| -3 | 131-8054-00 | | | | 6 | CONN,RF,JACK; BNC,PNL,50 OHM,FEMALE,STR, PELTOLA/PNL MNT,SILVER ALLOY,0.576 MLG X 0.366 TERMN,0.375-32 THD,D-FLAT, WITH KNURL |
| -4 | 174-5315-00 | | | | 2 | CABLE ASSY ELEC: RF,COAX,7.1IN L,50 OHM, PELTOLA,FLEX COAX CABLE |

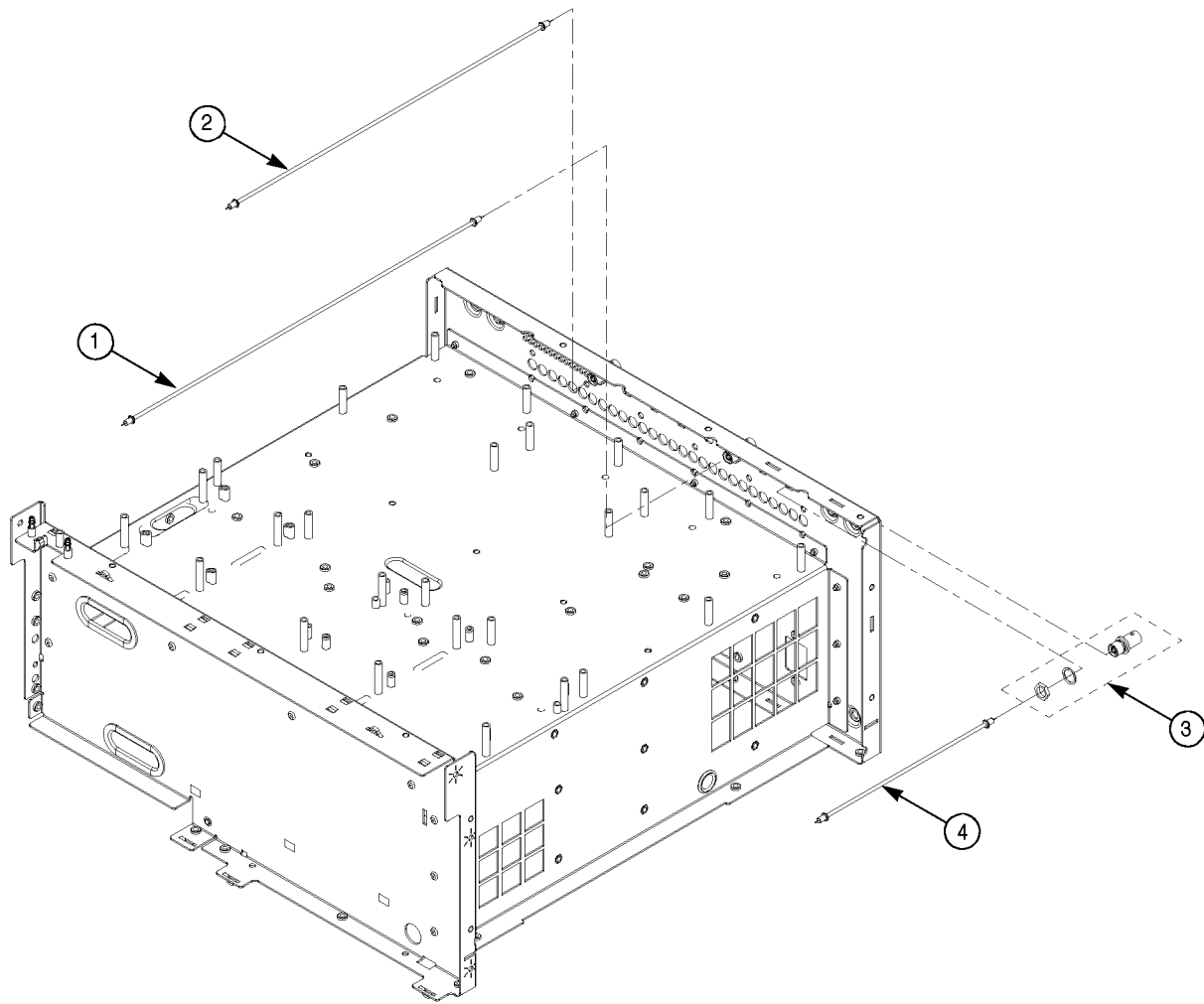


Figure 46: Exploded diagram - Rear connectors